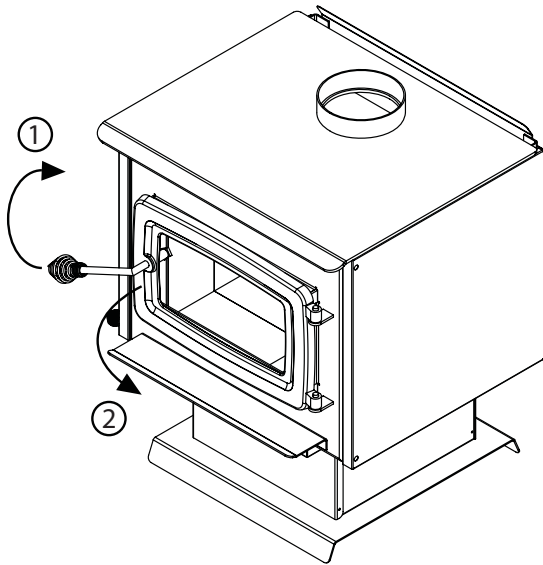




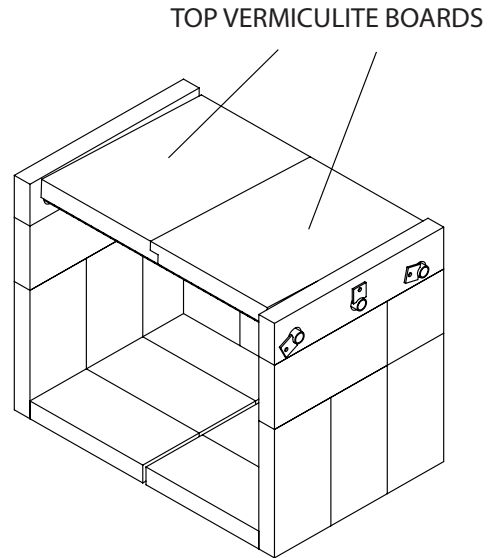
KOZI MODEL 1600 AND MODEL 2000 WOOD STOVE TOP VERMICULITE BOARD PLACEMENT

Revised Dec 2013
Printed In Canada

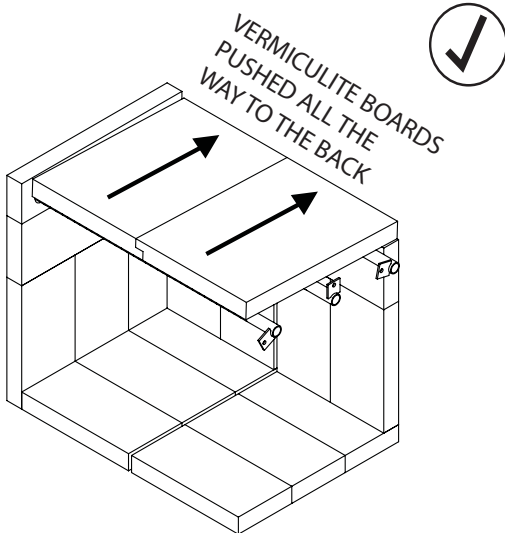
1. Turn the door handle (1) clockwise and swing the door open (2) to access the burn chamber of your wood stove.



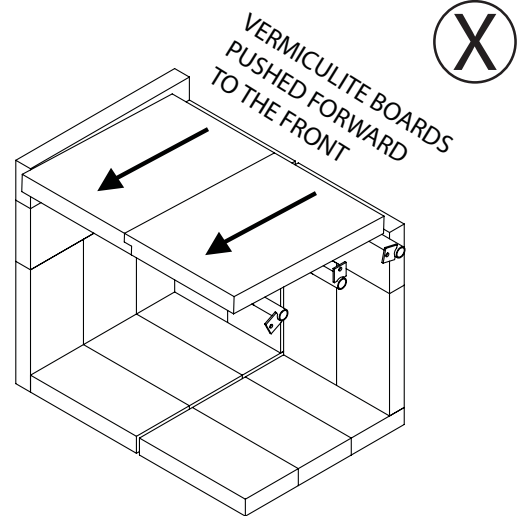
2. Locate the 2 top, vermiculite boards at the top of your burn chamber area. The diagram below shows the configuration of the brick and the 2 top, vermiculite boards on the inside of your burn chamber.



3. Before starting your wood stove, ensure that the 2, top vermiculite boards are sitting on the secondary burn tubes and pushed all the way and hitting the back of the burn chamber as shown below. This will ensure that you get the proper airflow going through the stove. If the vermiculite board is sitting closer to the front of the stove, you will not get a proper airflow and will not be able to burn the fuel properly.



CORRECT



INCORRECT