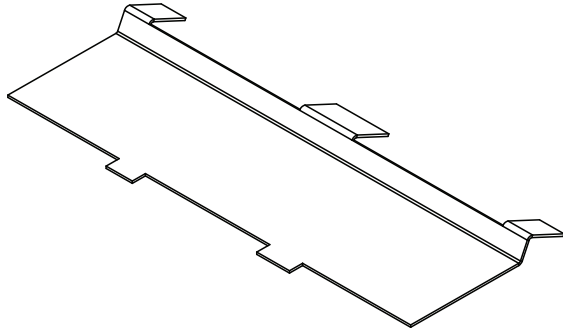


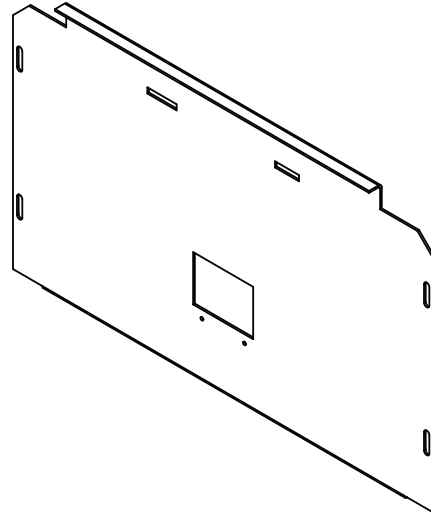


INSTALLATION OF A NEW KOZI BAYWIN BACK HEAT SHIELD (FREE STANDING AND INSERT MODELS)

THE INTERIOR HEAT SHIELDS INCLUDE:

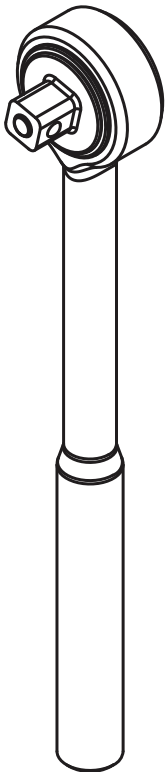


TOP HEAT SHIELD

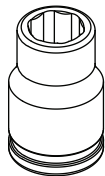


BACK HEAT SHIELD

TOOLS REQUIRED:



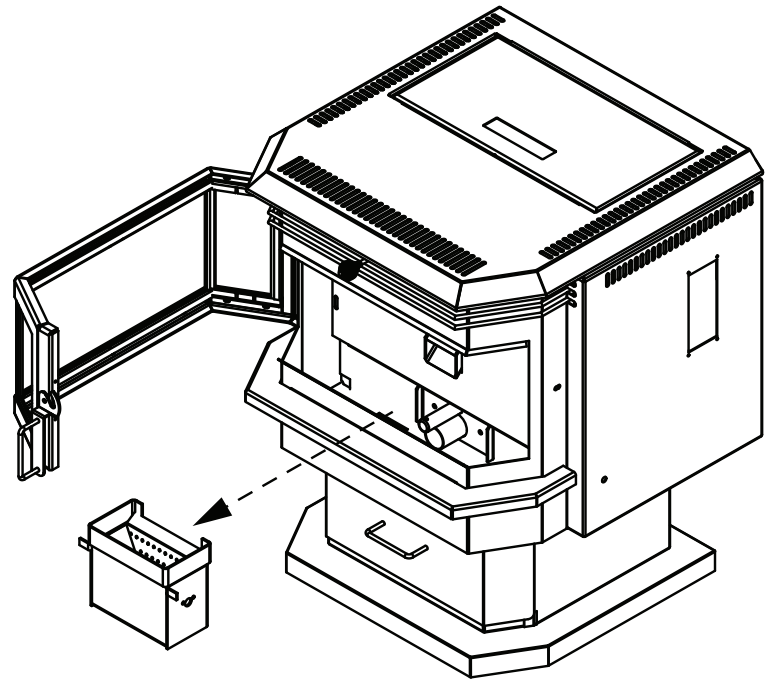
SOCKET WRENCH



3/8" SOCKET



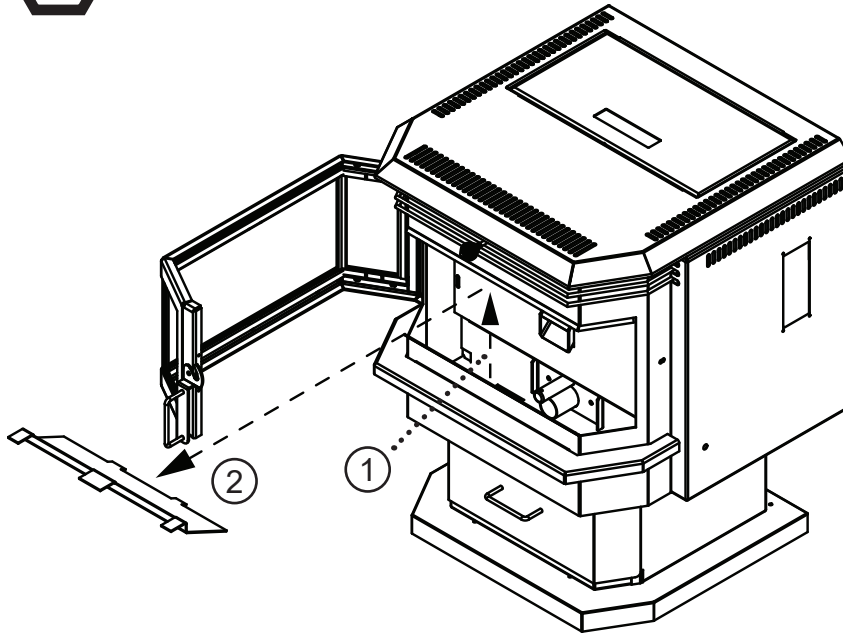
1 OPEN FRONT DOOR AND REMOVE THE BURN POT STAND ASSEMBLY FROM THE STOVE.



REMOVE BURN POT AND STAND FROM STOVE. CLEAN BOTH ITEMS.

2

PUSH TOP HEAT SHIELD UP, AND THEN PULL THE TOP HEAT SHIELD OUT OF THE STOVE AS SHOWN BELOW.

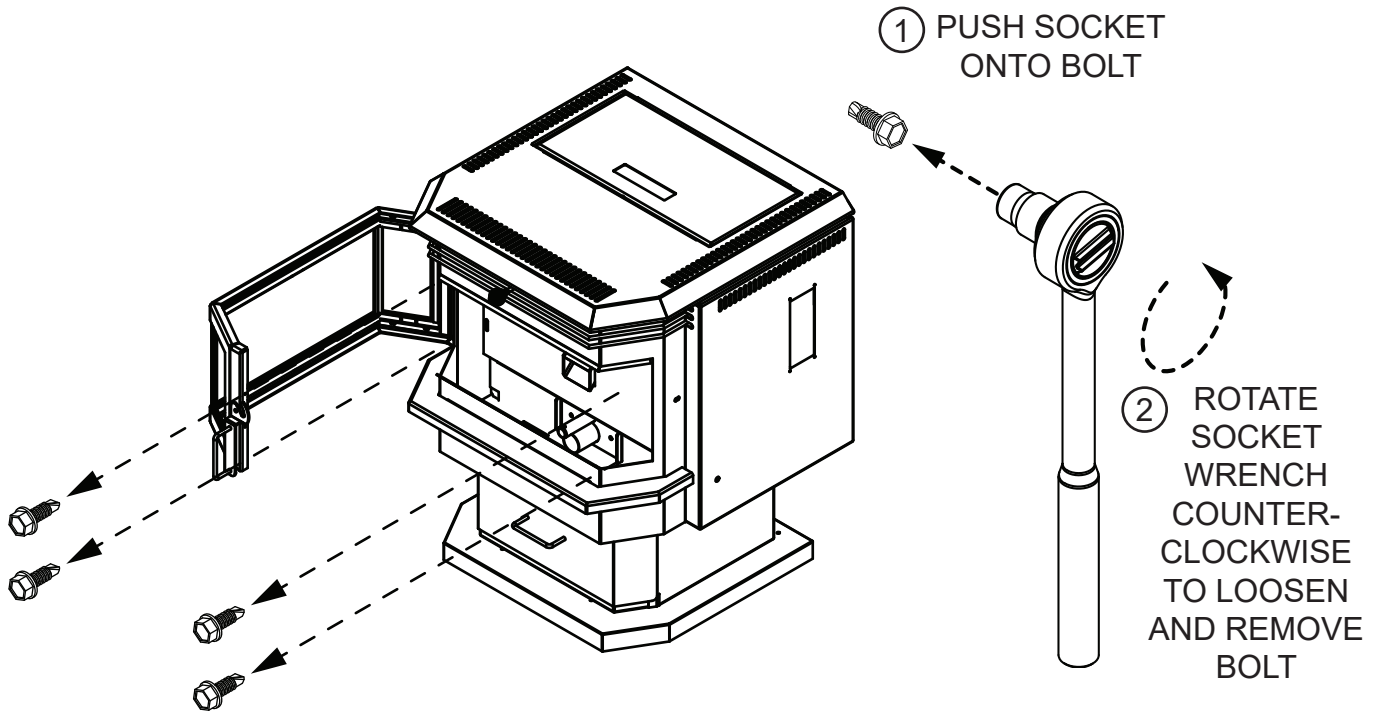


① PUSH THE TOP HEAT SHIELD UP

② PULL THE TOP HEAT SHIELD OUT OF THE STOVE

3

USING THE SOCKET AND SOCKET WRENCH, REMOVE THE 4 BOLTS SECURING THE BACK HEAT SHIELD TO THE BACK WALL OF THE BURN CHAMBER.

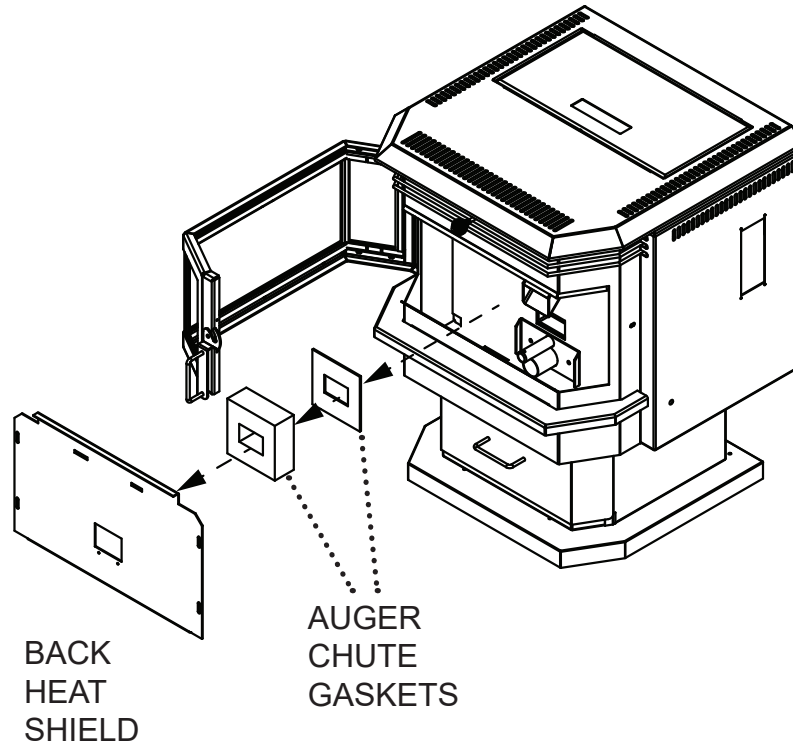


① PUSH SOCKET ONTO BOLT

② ROTATE SOCKET WRENCH COUNTER-CLOCKWISE TO LOOSEN AND REMOVE BOLT

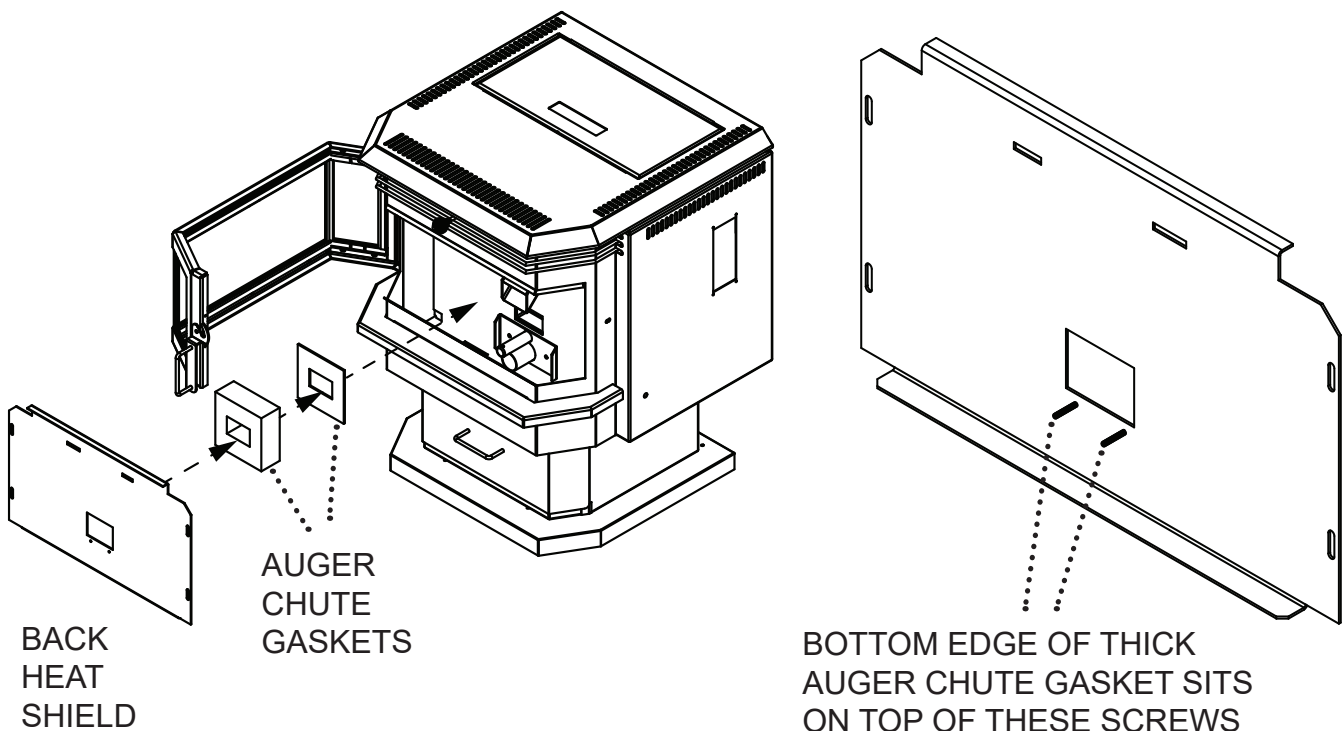
4

ONCE THE BOLTS HAVE BEEN REMOVED, YOU WILL BE ABLE TO PULL THE BACK HEAT SHIELDS OUT. BE CAREFUL NOT TO DAMAGE THE AUGER CHUTE GASKETS.



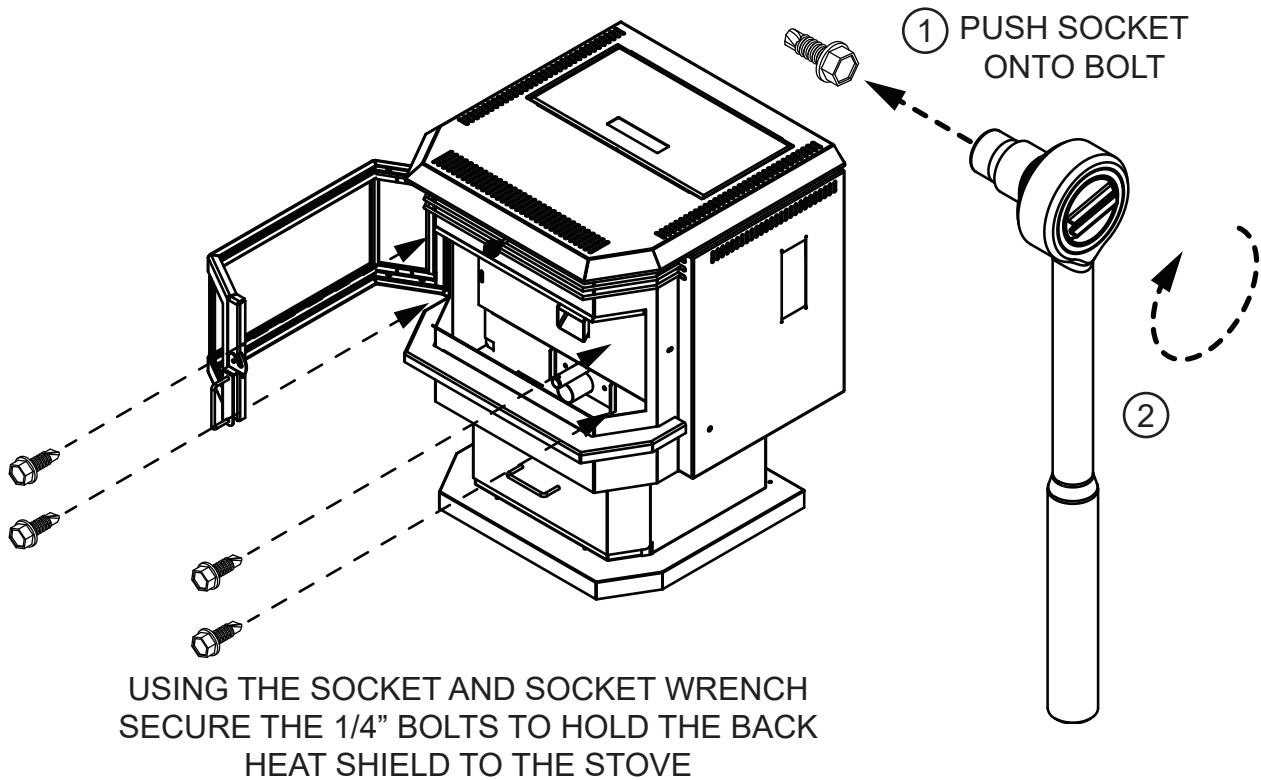
5

INSERT THE NEW BACK HEAT SHIELD MAKING SURE TO NOT DAMAGE THE AUGER CHUTE GASKETS. INSERT THE BACK HEAT SHIELD SO THAT THE GASKETS SIT AS SHOWN BELOW.



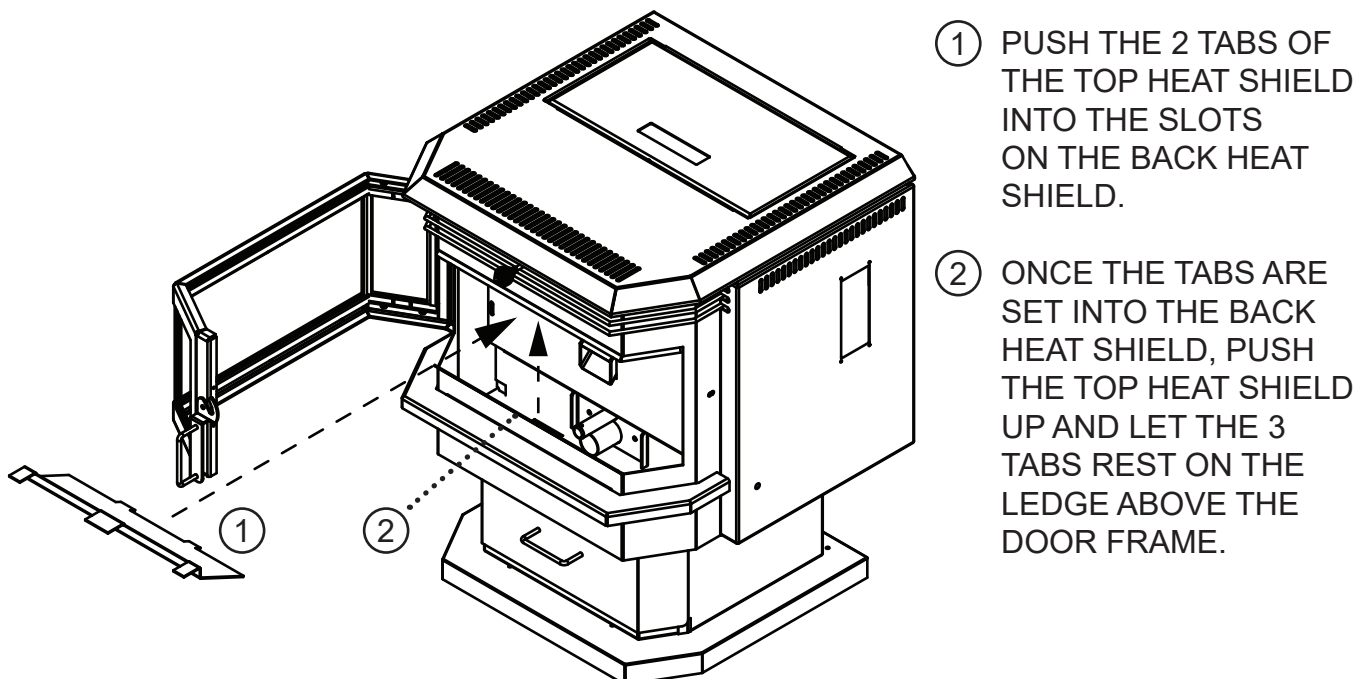
6

SECURE THE BACK HEAT SHIELD TO THE BACK WALL OF THE BURN CHAMBER WITH THE 4 BOLTS FROM STEP 3.



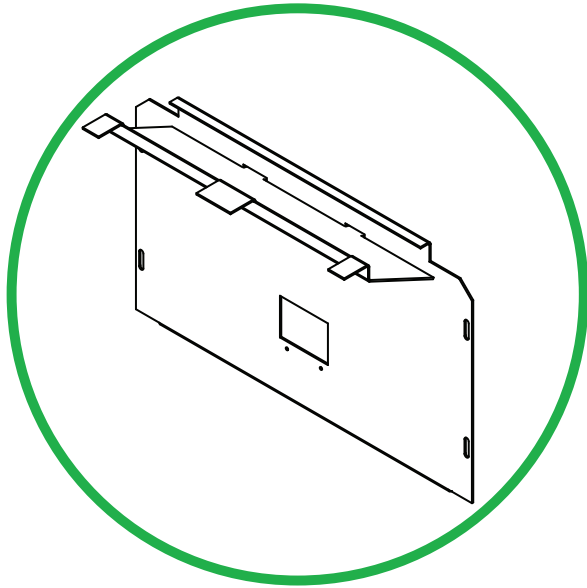
7

PLACE THE TOP HEAT SHIELD BACK IN THE STOVE. ENSURE THAT THE 2 TABS OF THE TOP HEAT SHIELD SIT IN THE TOP SLOTS ON THE BACK HEAT SHIELD.

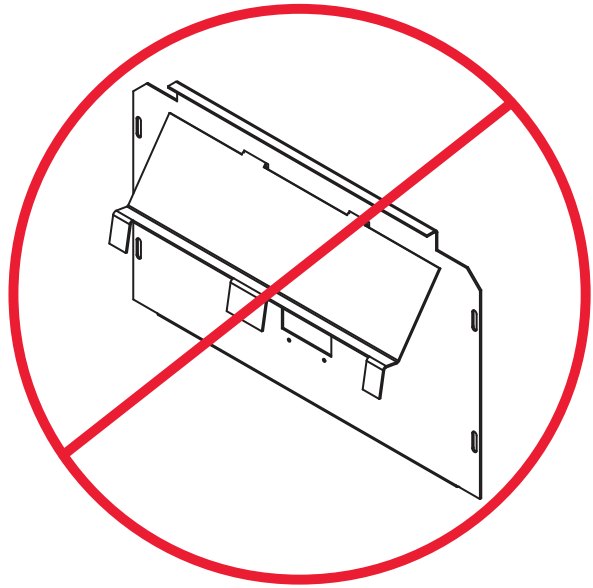


8

ENSURE THAT THE TOP HEAT SHIELD IS INSTALLED CORRECTLY. THE 2 IMAGES SHOWN BELOW SHOW AN INCORRECT AND A CORRECT INSTALLATION.



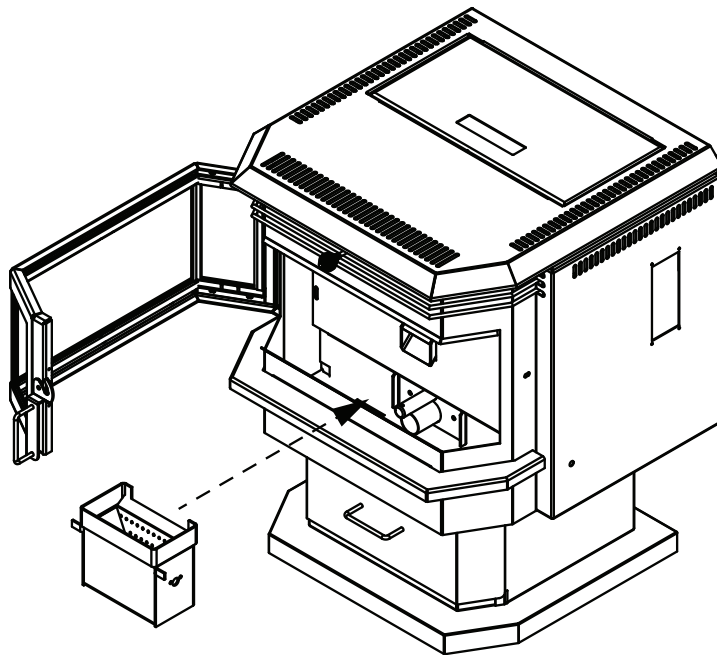
CORRECT



INCORRECT

8

PLACE THE BURN POT AND BURN POT STAND ASSEMBLY BACK INTO THE STOVE AS SHOWN.



KOZI (Division of APR Industries Ltd.)
1354 Waverley Street, Winnipeg, Manitoba, Canada, R3T 0P5
Phone: (204) 452-9907, Fax: (204) 453-2747
Email: mail@kozistoves.com, Website: www.kozistoves.com