

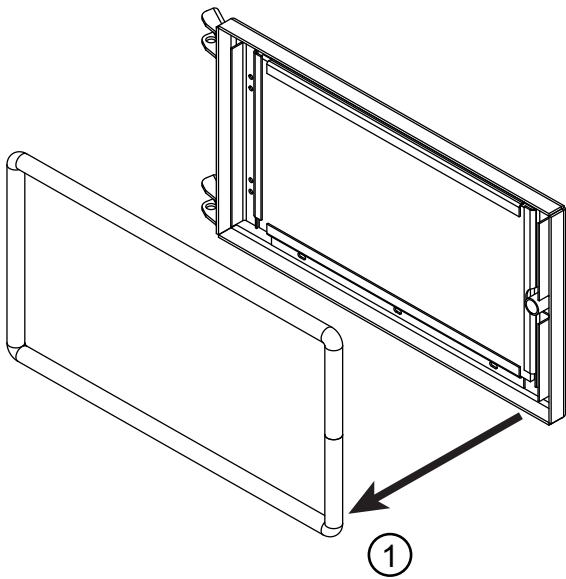


KOZI XL100/KSH 120 GLASS REPLACEMENT ON METAL FABRICATED DOOR

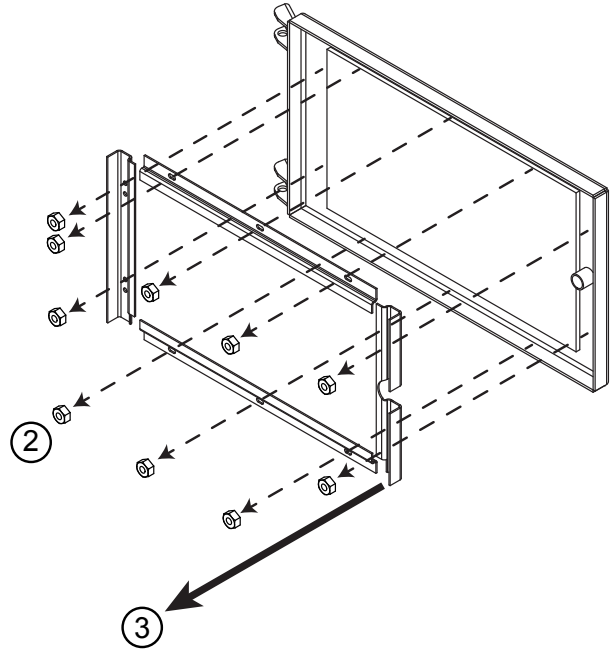
Revised Dec 2015
Printed In Canada

Follow these instructions carefully to properly install your new KOZI XL 100/KSH 120 glass for a metal fabricated door.

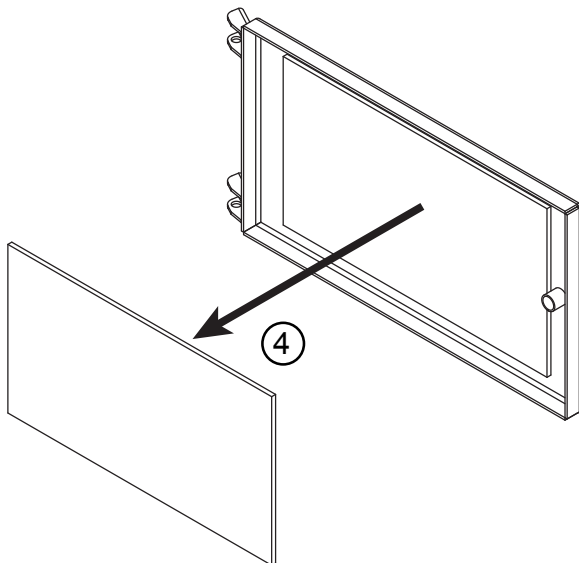
1. Remove the rope gasket on the door to access the brackets securing the glass in place (1).



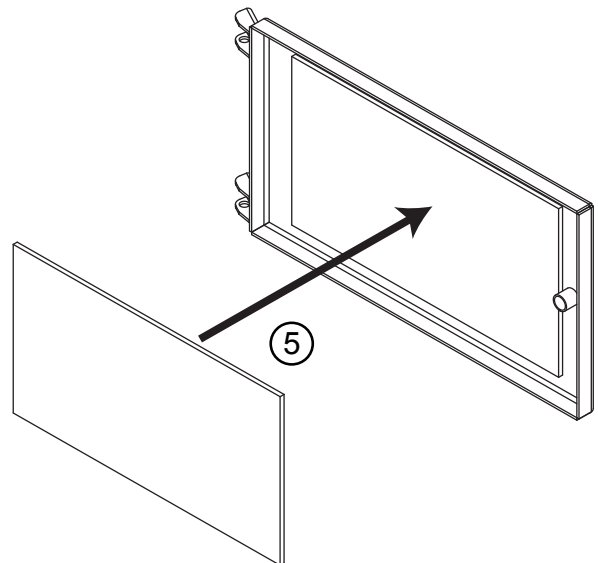
2. Remove all the nuts securing the brackets that are holding the glass in place (2). Remove all of the brackets (3).



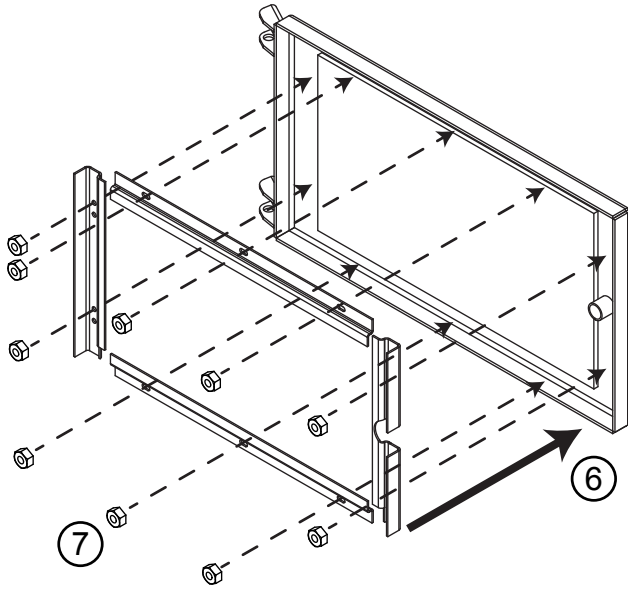
3. Remove all of the broken glass from the door frame (4).



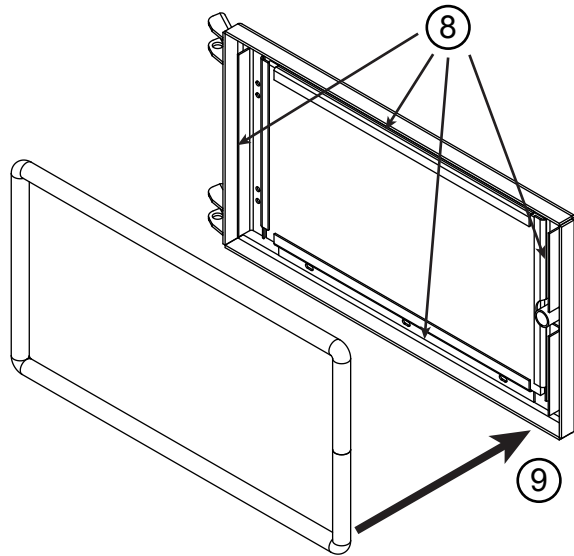
4. Place the new glass on the door frame as shown (5). Lay the door frame on a flat surface to make the installation of the new glass easier.



5. Place the brackets back as shown (6).
Secure the brackets with the nuts shown
below (7)



6. Place a bead of high temperature glue/
silicone in the door frame groove as shown
(8). Place the rope gasket in the door frame
groove (9) and allow for the glue/silicone to
set.



7. Let the glue/silicone set for 1 hour and then place the door on the stove and lock it in place.
Then allow the door to set for 24 hours.