

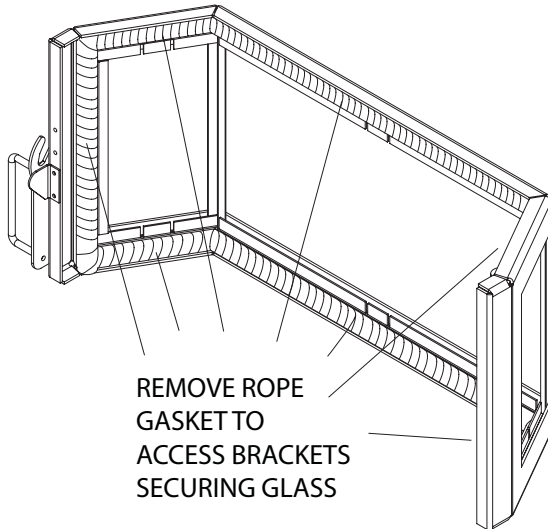


KOZI BAYWIN GLASS GASKET KIT INSTALLATION

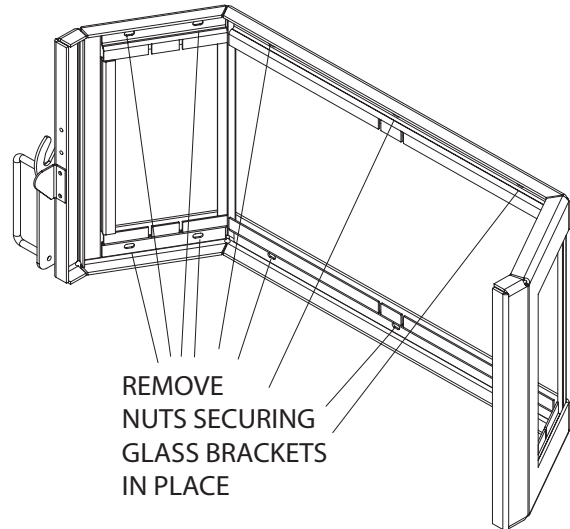
Revised Nov 2013
Printed In Canada

Follow these instructions to properly install your new KOZI BayWin Glass Gasket Kit.

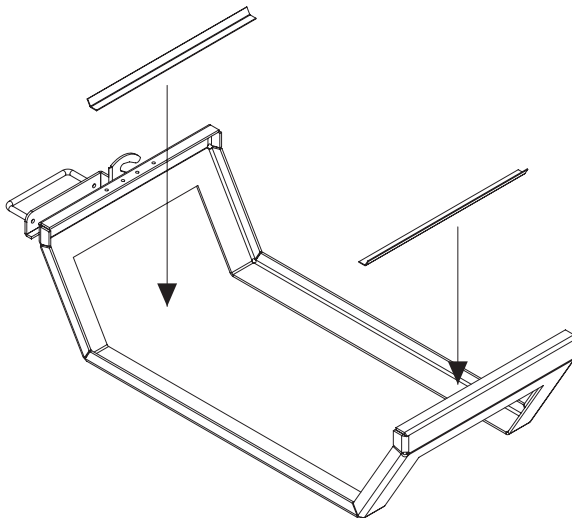
1. Remove the rope gasket on the door to access the brackets securing the glass in place.



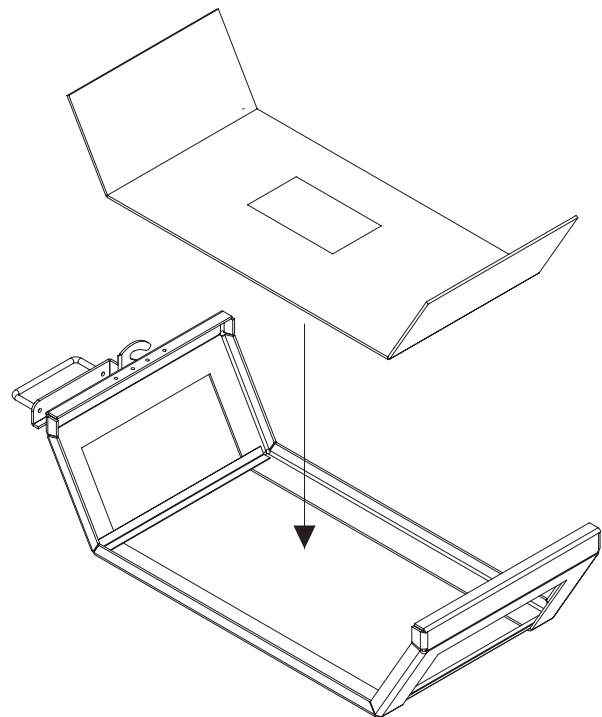
2. Remove all the nuts securing the brackets holding the glass in place.



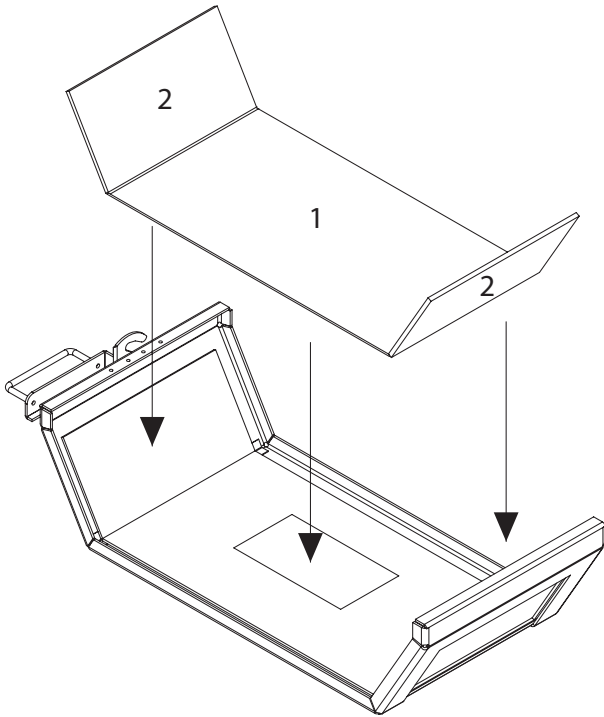
3. Once all the brackets are removed, you can disassemble and remove the glass, gaskets and vertical glass corner pieces and clean them off. Once they are cleaned, re-install the vertical glass corner pieces as shown.



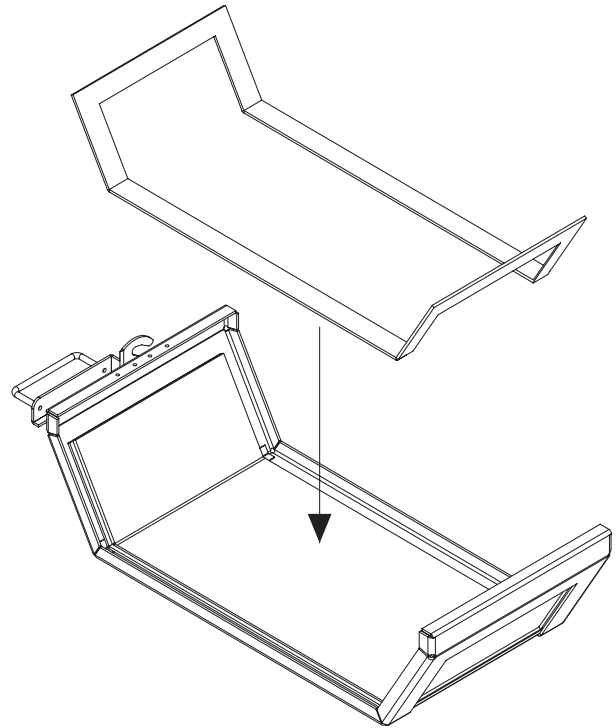
4. Lay the first glass gasket as shown below.



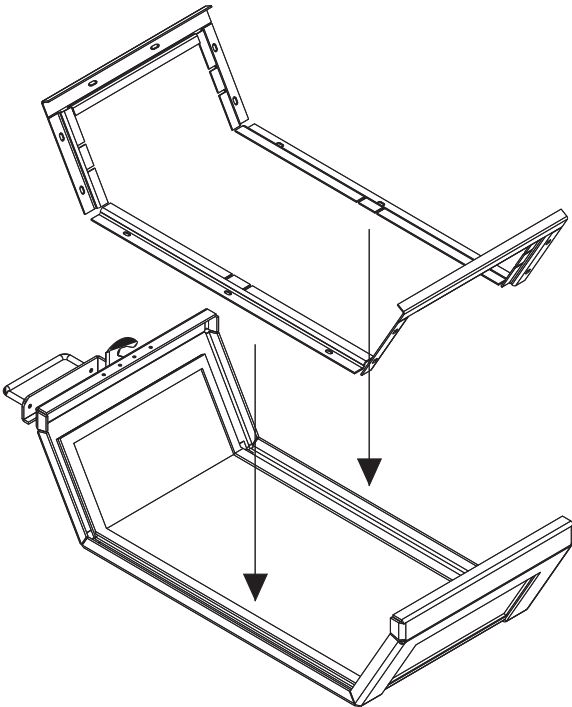
5. Place the center glass (1) and 2 side glass pieces (2) as shown below. Make sure the side glass touches the center glass.



6. Place the second set of glass gaskets as shown below.



7. Place the brackets that secure the glass assembly in place and secure with nuts. Do not overtighten the nuts as you make break off the stud welds.



8. Once the brackets are in place and secure, re-install the rope gasket. Once the rope gasket is installed, then trim the excess glass gaskets as shown below.

