

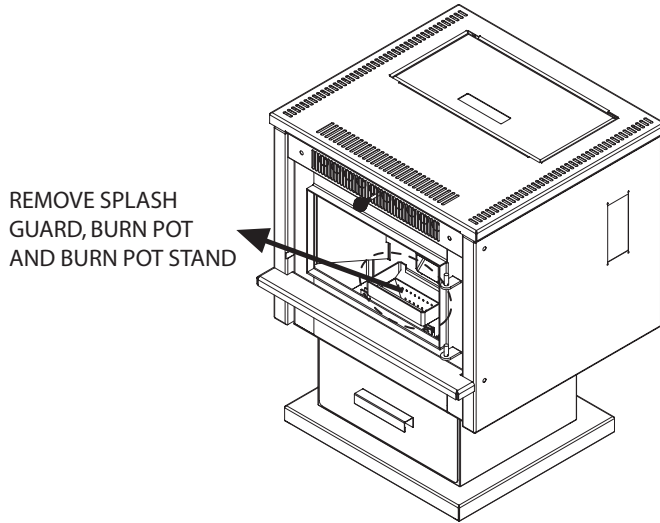


KOZI PELLET STOVE AUGER CHUTE GASKET KIT INSTALLATION

Revised Nov 2013
Printed In Canada

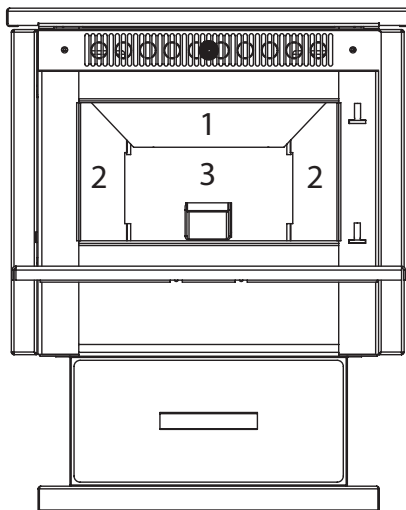
Follow these instructions to properly install your new KOZI Pellet Stove Auger Chute Gasket Kit.

XL 100, KSH 120



REMOVE SPLASH
GUARD, BURN POT
AND BURN POT STAND

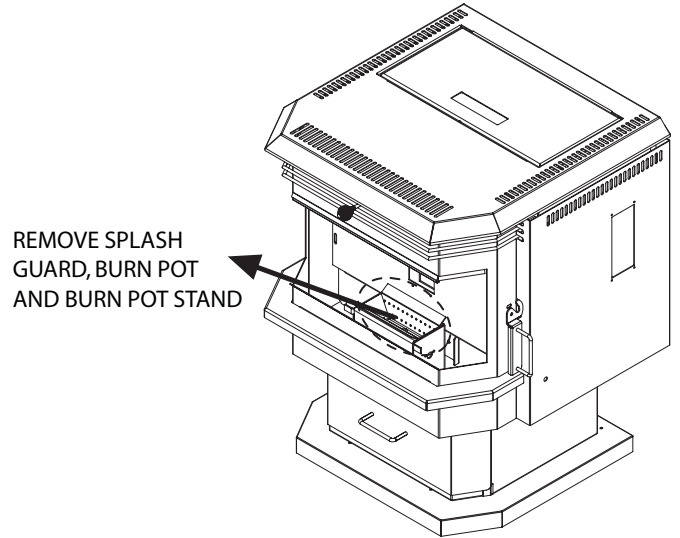
1. Remove splash guard, burn pot and burn pot stand from the pellet stove.



2. Remove interior heat shields. Remove in order:

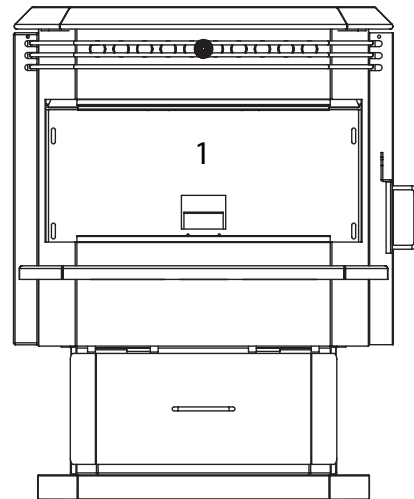
- 1 - Top Heat Shield
- 2 - Side Heat Shields
- 3 - Back Heat Shield

BayWin

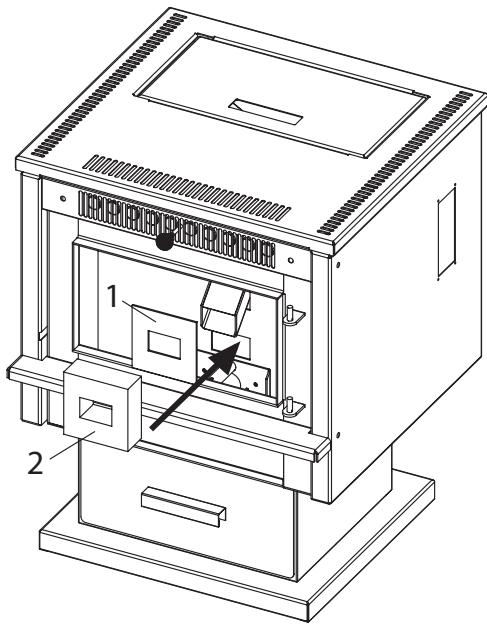


REMOVE SPLASH
GUARD, BURN POT
AND BURN POT STAND

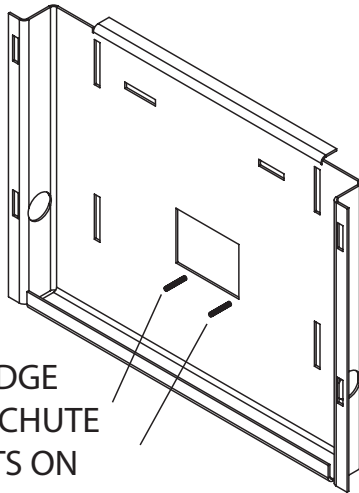
1. Remove splash guard, burn pot and burn pot stand from the pellet stove.



2. Remove back heat shield from stove.

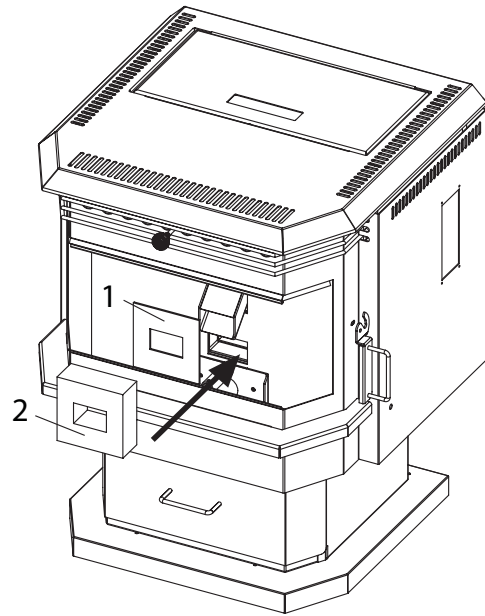


3. Install the auger chute gasket as shown. Place the thin gasket (1) first and the thicker gasket (2) second.

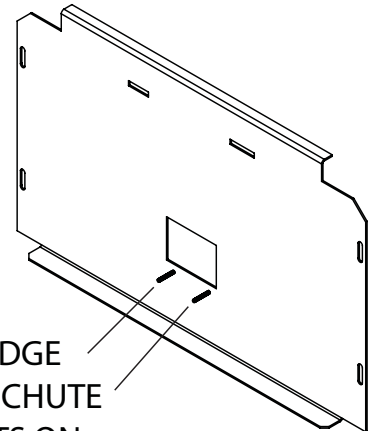


BOTTOM EDGE
OF AUGER CHUTE
GASKET SITS ON
TOP OF THESE SCREWS

4. When placing the back heat shield back in place, ensure that the bottom edge of the thick auger chute gasket sits on top of these 2 screws.



3. Install the auger chute gasket as shown. Place the thin gasket (1) first and the thicker gasket (2) second.



BOTTOM EDGE
OF AUGER CHUTE
GASKET SITS ON
TOP OF THESE SCREWS

4. When placing the back heat shield back in place, ensure that the bottom edge of the thick auger chute gasket sits on top of these 2 screws.

APR Industries Lt.d
1354 Waverley Street, Winnipeg, MB, Canada, R3T 0P5
Phone: (204) 452-9907 Fax: (204) 453-2747
Email: mail@kozistoves.com Website: www.kozistoves.com

