

PREVIA CAST IRON PELLET STOVE SERIES



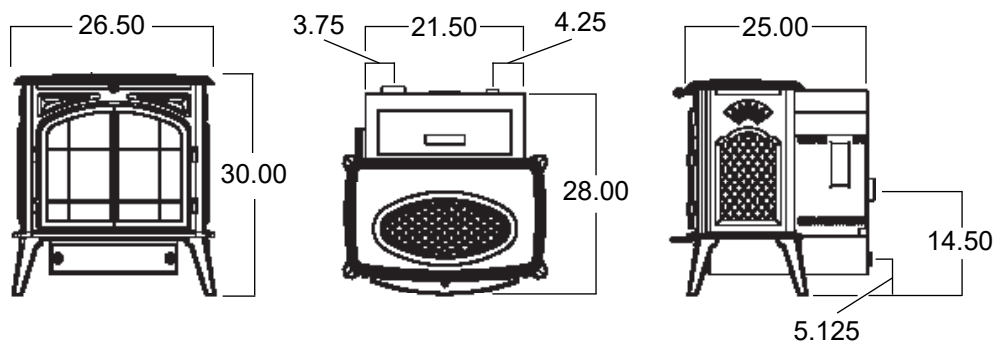
WWW.KOZISTOVES.COM

PELLET STOVE

PREVIA CAST IRON PELLET STOVE

Enjoy the warmth and comfort of the **KOZI** Previa Cast Iron Pellet Stove. This state-of-the-art cast iron pellet stove has been designed for years of trouble-free heating and comfort. The attractive and versatile casting guarantees that this stove will fit into any décor. The **KOZI** Previa pellet stove is an environmentally friendly heating alternative that has been tested to meet and exceed the most stringent Canadian, USA and EU quality and safety standards. Standard features include the Glass Screen Saver™, auto igniter and removable ash tray. Optional features such as a wall thermostat kit, and a remote control may be added.

DIMENSIONS



OTHER FEATURES:

- 10 Tube heat exchanger.
- 60 lb hopper capacity.
- Top loading fuel feed system separates burn pot and fuel storage reducing risk of burn back.
- Negative pressure burn box prevents spillage of smoke and fumes into the house.
- Adjustable fuel feed control.
- Glass Screen Saver™ and the airwash system keep the glass clean longer.
- Digital control board with trouble-shooting light diagnostics.

*Design may change at any time without notice or obligation.

STOVE MODELS	
	PART NUMBER
Flat Black	PRVS-PB
Enamel Black	PRVS-EB
Magenta Brown	PRVS-MB
STOVE DIMENSIONS	
Width	26.5" / 673 mm
Depth	28" / 711 mm
Height	30" / 762 mm
Flue Diameter	3" / 75 mm
Air Intake Diameter	1.625" / 41 mm
CLEARANCES TO COMBUSTIBLES	
	MINIMUM
To Back Wall	1" / 25 mm
Side Wall	5" / 125 mm
To Corners	1" / 25 mm
STOVE SPECIFICATIONS	
Weight	300 lbs / 136 kg
Fuel Capacity	60 lbs / 27 kg
Max Input/Hr	40,000 BTU
Electrical Requirements	120 V, 5 A
EPA Status	U.S. EPA Certified to Meet 2020 Particulate Emission Standards (1.02 g/hr)
Mobile Home	Approved



Printed in Canada

APR Industries Ltd., 1354 Waverley Street, Winnipeg, MB. Canada, R3T 0P5

Phone: (204) 452-9907, Fax: (204) 453-2747, Email: mail@kozistoves.com, Website: www.kozistoves.com