



## Direct Vent Gas Fireplace 3620



Feel the warmth, experience the romance, and discover the secret. The **KOZI** Gas Fireplace Series offers a realistic log set, large golden flames and optional trim packages. With it's elegant design it is guaranteed to fit into any décor.



# Model DVF 3620 Direct Vent Gas Fireplace



The DVF 3620 is an environmentally friendly, economically priced, zero clearance fireplace, which adds beauty and elegance to your living room. It is designed to provide you with heat when needed, or just a soft glow can be maintained by turning the valve setting down. Loaded with state-of-the-art features, this fireplace has been engineered to ensure years of trouble free heating and comfort. The attractive design and many options guarantee it will accent any décor.

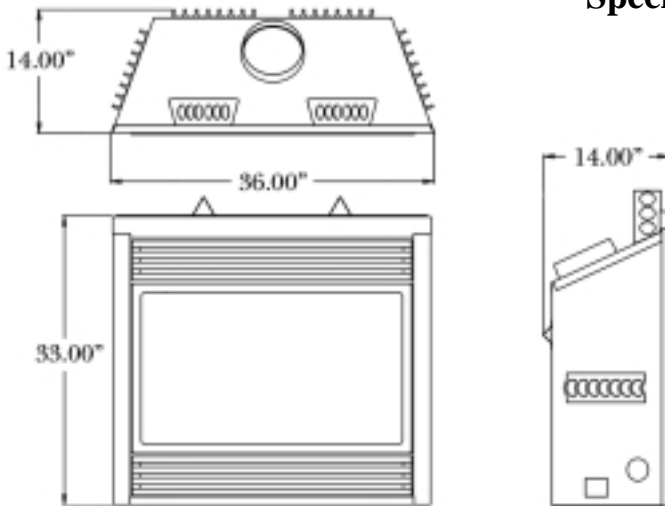
## Design Features

- Designed for use with Natural Gas or Liquid Propane.
- 20,000 Btu/Hr maximum inputs for Natural Gas & Propane.
- Adjustable gas regulator allows for flame and heat reduction of up to 50%.
- Piezo Ignitor System for safe easy lighting.
- Accessible concealed control compartment provides a clean appearance.
- Easy and versatile installation.
- All visible corners and edges are carefully finished for safety and appearance.
- Five piece "Campfire" log set.
- Specially designed char patterns for realistic glowing embers.

## Optional Features

- Trim kit in various sizes.
- Decorative door faceplates.
- Horizontal or Vertical Venting Kit available.
- 3 piece ceramic fiber firebrick liner kit.
- Thermostat controlled variable speed air blower.
- Wall mount thermostat control.
- Hand held ON/OFF remote control.

## Specifications



- Can be vented horizontally to a maximum of 15 feet and vertically to a maximum of 30 feet.
- Less than 14" of depth allows it to fit anywhere in your home.
- Basement or ground level installation.
- Suitable for bedroom or mobile home installation.

Maximum Inputs	
	BTU/HR
<b>DVF3620N</b> (Natural Gas)	20,000
<b>DVF3620P</b> (Propane)	20,000

Certified Vented Gas Fireplace Standard  
in Canada and the U.S.A. by:

**Warnock Hersey**



Printed in Canada

Design may change at any time without notice or obligation.

Manufactured By:  
**APR Industries Ltd.**  
1354 Waverley Street  
Winnipeg, Manitoba  
R3T 0P5  
CANADA

<http://www.kozistoves.com>  
email: [mail@kozistoves.com](mailto:mail@kozistoves.com)

Your local KOZI dealer is: