



## KOZI Model: FDV-3620 Installation and Owners Manual

**WARNING:** If the information in these instructions is not followed exactly, a fire or explosion may result causing property damage, personal injury or loss of life.

- Do not store or use gasoline or other flammable vapors and liquids in the vicinity of this or any other appliance.
- **WHAT TO DO IF YOU SMELL GAS**
  - Do not try to light any appliance.
  - Do not touch any electrical switch; do not use any phone in your building.
  - Immediately call you gas supplier from a neighbor's phone. Follow the gas supplier's instructions.
  - If you cannot reach your gas supplier, call the fire department.
- Installation and service must be performed by a qualified installer, service agency or the gas supplier.



This appliance may be installed in an aftermarket, permanently located, manufactured home (USA only) or mobile home, where not prohibited by local codes.

This appliance is only for use with the type of gas indicated on the rating plate. This appliance is not convertible for use with other gases, unless a certified kit is used.



APR Industries Ltd.  
1354 Waverley Street  
Winnipeg, Manitoba R3T 0P5

T(204) 452-9907  
F(204) 453-2747  
mail@kozistoves.com



Rev. May 2004

**This page intentionally left blank**

## **I. Safety Warnings and Information.**

The installation of this appliance must conform with local codes or, in the absence of local codes, with the *National Fuel Gas Code, ANSI Z223.1/NFPA 54*, or the *Natural Gas and Propane Installation Code, CSA B149.1*

READ THIS MANUAL BEFORE INSTALLING OR OPERATING THIS APPLIANCE. THIS MANUAL MUST REMAIN WITH THE APPLIANCE FOR FUTURE REFERENCE.

**Do not use this appliance if any part has been under water. Immediately call a qualified service technician to inspect the appliance and to replace any part of the control system and any gas control which has been under water.**

**Children and adults should be alerted to the hazards of high surface temperature and should stay away to avoid burns or clothing ignition.**

**Young children should be carefully supervised when they are in the same room as the appliance.**

**Clothing or other flammable material should not be placed on or near the appliance.**

**Any safety screen or guard removed for servicing an appliance must be replaced prior to operating the appliance.**

**Installation and repair should be done by a qualified service person. The appliance should be inspected before use and at least annually by a professional service person.**

# Table Of Contents

<b>I. Safety Warnings and Information.....</b>	<b>3</b>
<b>II. Installation .....</b>	<b>5</b>
<b>1. Dimensions, Location &amp; Clearances .....</b>	<b>5</b>
1.1 Dimensions of appliance .....	5
1.2 Locating the appliance .....	5
1.3 Minimum clearances to combustibles .....	6
<b>2. Framing .....</b>	<b>7</b>
<b>3. Securing the appliance .....</b>	<b>7</b>
<b>4. Venting Installation .....</b>	<b>7</b>
4.1. Horizontal Termination .....	9
4.2. Vertical Termination .....	9
<b>5. Gas Line Connection .....</b>	<b>11</b>
5.1. Fuel Conversion .....	11
5.2. Gas Line Pressure .....	11
<b>6. Electrical .....</b>	<b>12</b>
<b>7. Blower Installation (optional) .....</b>	<b>13</b>
<b>8. Finishing .....</b>	<b>14</b>
8.1 Louvers Removal and Installation .....	14
8.2 Door Removal and Installation .....	14
8.3 Log Placement .....	15
8.5 Lava Rock Placement (optional) .....	17
8.4 Ember Placement .....	17
8.6 Decorative Door Designs (optional) .....	18
<b>III. Operation .....</b>	<b>18</b>
1.1 Venturi Adjustment .....	18
1.2 Blower Speed Control (models with optional blower only) .....	19
<b>IV. Maintenance .....</b>	<b>20</b>
<b>1. Glass Cleaning .....</b>	<b>20</b>
<b>2. Glass Replacement .....</b>	<b>20</b>
<b>3. Gaskets .....</b>	<b>21</b>
<b>4. Burner and Combustion Chamber .....</b>	<b>21</b>
<b>V. Diagrams and Parts Lists .....</b>	<b>22</b>
<b>1. Parts List .....</b>	<b>22</b>
<b>2. FDV 3620 Parts .....</b>	<b>23</b>
<b>3. FDV 3620 Cross Section .....</b>	<b>23</b>
<b>4. Lighting Instructions .....</b>	<b>24</b>
<b>VI. Trouble Shooting Guide .....</b>	<b>25</b>
<b>VII. Warranty .....</b>	<b>26</b>

## **II. Installation**

### **1. Dimensions, Location & Clearances**

#### 1.1 Dimensions of appliance

This appliance is 36" wide by 33" high by 14" deep. The following diagram shows the outer dimensions of the appliance.

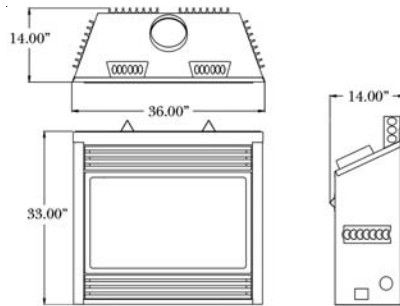


Figure 1. **KOZI** FDV 3620 Overall dimensions.

#### 1.2 Locating the appliance

The following points should be considered when selecting a location for your appliance:

1. This appliance may be installed on any smooth, combustible or noncombustible flat surface.
2. When the appliance is to be installed directly on carpeting, tile or other combustible material other than wood flooring, the appliance shall be installed on a metal or wood panel extending the full width and depth of the appliance.
3. This appliance should be located in an area where the venting can be easily installed or removed.

**Due to high temperatures, the appliance should be located out of high traffic areas and away from furniture and draperies.**

The following diagram shows the typical installation locations for your appliance.

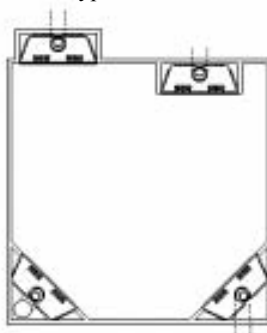


Figure 2. Typical room installations.

### 1.3 Minimum clearances to combustibles

All installations must maintain adequate clearances around air openings into the combustion chamber and/or any fireplace opening. All installations must have adequate accessibility clearances for servicing and proper operation. The following diagram shows all of the clearances from spacers, standoffs or surfaces to combustible construction and combustible trim and mantles.

Note: Combustible Mantles Must Be Installed Above The Minimum Clearance Specified. Non-Combustible Mantles May Be Installed At Any Height Above The Fireplace Surround.

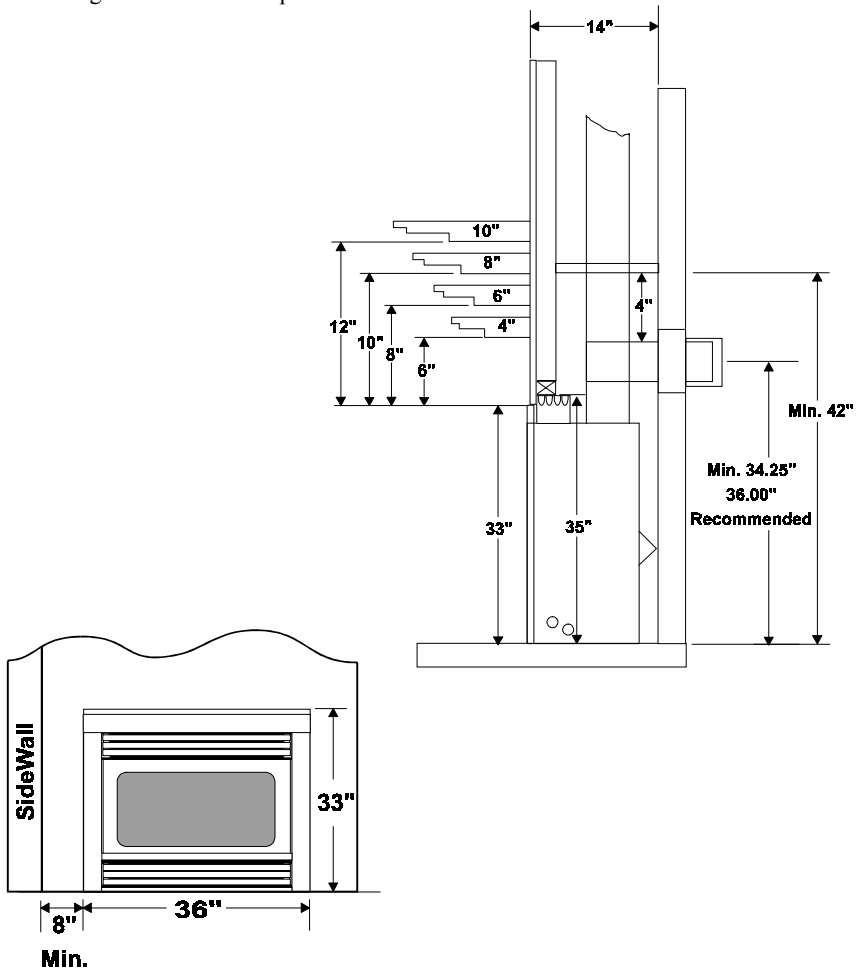


Figure 3. Minimum clearances.

## **2. Framing**

Framing for the appliance should be made with 2" x 4" or 2" x 6" lumber and must comply with local building codes. The framing for this appliance must be built according to Figure 4 shown below. Make note of the where the gas and electrical connections are to be made.

In order to maintain all clearances between the appliance and vapor barrier and/or insulation, it is recommended that drywall be installed over vapor barrier and/or insulation to prevent contact with the appliance.

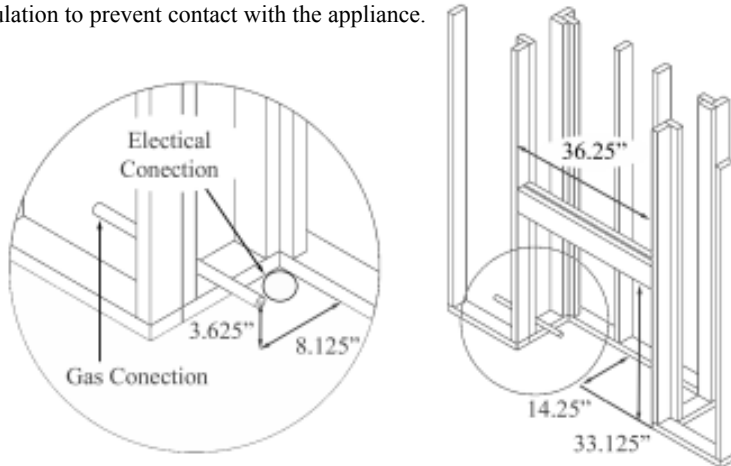


Figure 4. Framing for a **KOZI** FDV 3620

## **3. Securing the appliance**

Nailing tabs have been provided to secure the appliance to the structure. Center the appliance in the framed opening. Secure the appliance by bending out the 2 nailing tabs on each side of the appliance and nail or screw to framing. The nailing tabs are intended to be installed between the framing and drywall.

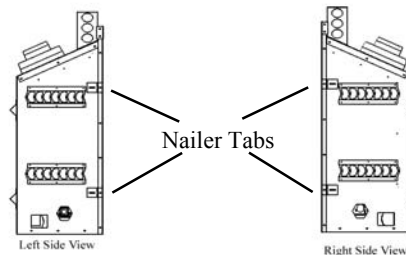


Figure 5. FDV 3620 Nailer tabs

## **4. Venting Installation**

This appliance is for use with approved Magnaflex 4" and 7" (part no. 47ALDVK) 2 ply aluminum flex venting only. The 4" venting must remain centered along the entire length of the 7" venting. This is normally done with vent spacers. Both vent pipes must be sealed to the appliance using high temperature "Mil-Pac" sealant and secured in place with a minimum of 3 sheet metal screws each, equally spaced around the pipes. Pipe clamps can also be used for added strength. Refer to the following diagram for more information.

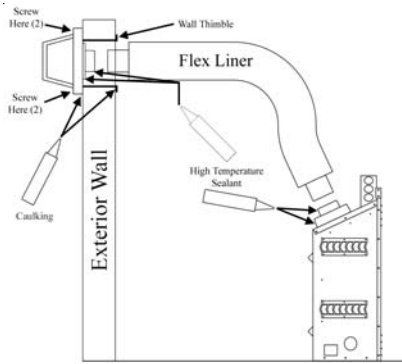


Figure 6A. Horizontal Venting Installation

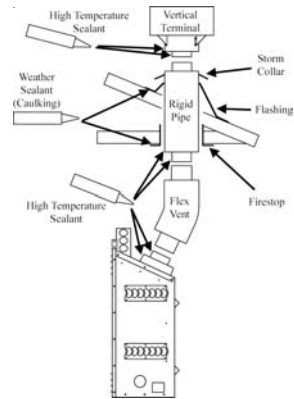


Figure 6B. Vertical Venting Installation

The diagrams below show some possible venting configurations that can be used.

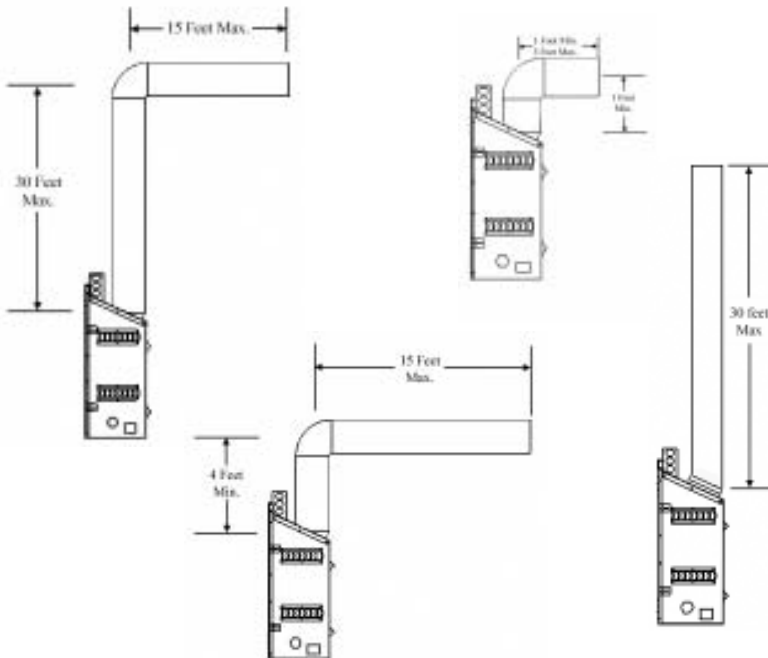


Figure 7. FDV 3620 Typical venting configurations

When installing horizontal venting, it must have a 1/4" rise per 1' of horizontal venting. Supports/hangers must be used at least every 24" (60 cm) or as necessary to prevent sagging.

This gas appliance can not be connected to a chimney flue serving a separate solid-fuel burning appliance. Never obstruct the flow of combustion and ventilation air. Keep the terminal and front of the appliance clear of all obstacles and materials for servicing and proper operation.

The following restrictions apply to any venting configuration.

Minimum clearance from combustibles to venting : 1”

Maximum total horizontal length : 15 feet

Maximum vertical rise : 30 feet

Maximum number of 90 degree bends : 3

#### 4.1. Horizontal Termination

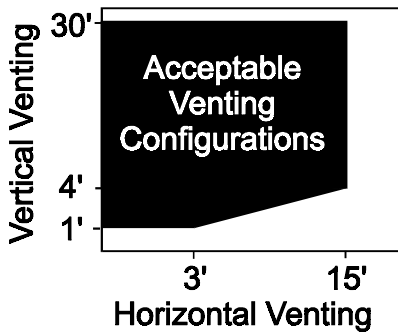
This appliance is approved for horizontal termination with APR Industries Ltd. Part FDVHVT only. No other horizontal vent terminal may be used. DO NOT recess the venting terminals into a wall or siding.

Please note the following restrictions as they apply to horizontal termination:

With 15’ of horizontal, the venting must rise a minimum of 4’ from the appliance.

With 1’ of vertical, the venting may have a maximum of 3’ horizontal run.

Please refer to the following diagrams for all other venting possibilities.



Equivalent Horizontal Vent Lengths		
Angle of Elbow	Equivalent Feet	Equivalent Inches
15°	0.45	6.0
30°	0.90	11.0
45°	1.35	16.0
90°	2.70	32.0

Table 1. Equivalent vent lengths for various elbows. (Applies to verticals less than 15’ only)

Figure 8. Acceptable venting configurations with 1 - 90° elbow.

Please note: A maximum of 3 elbows may be used. Each elbow, excluding the first 90° elbow, reduces the allowed horizontal venting by the corresponding amount in Table 1.

Figure 10 shows the typical clearances from the center line of the vent cap to intersecting walls, overhangs or eaves, window openings, air intakes, above ground, grade or decks. Clearances must be in accordance with local installation codes and the requirements of the gas supplier.

#### 4.2. Vertical Termination

If the venting is to be terminated in a vertical manner, APR Part FDVVVT must be used. Please note that a vent restrictor may be needed for installations using long vertical rises.

When attaching the vertical terminal on a roof, make sure to use proper flashing and that the clearance in the following diagram met.

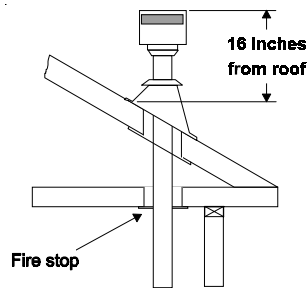


Figure 9. Vertical terminal clearances

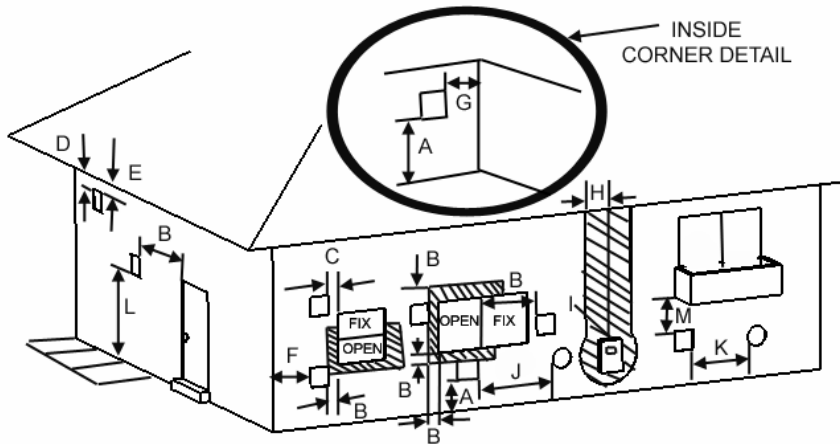


Figure 10. Terminal Clearances

Dimension	Canadian Installations	USA Installations
A - Clearance above grade, veranda, porch, deck, or balcony	12 inches (30 cm)	12 inches (30 cm)
B - Clearance to window or door that can be opened	12 inches (30 cm)	9 inches (23 cm)
C - Clearance to permanently closed window	12 inches (30 cm)*	12 inches (30 cm)*
D - Vertical clearance to ventilated soffit located above the terminal within a horizontal distance of 2 feet (61 cm) from the centerline of the terminal	18 inches (46 cm)	18 inches (46 cm)
E - Clearance to unventilated soffit	18 inches (46 cm)	18 inches (46 cm)
F - Clearance to outside corner	0 inches (0 cm)	0 inches (0 cm)
G - Clearance to inside corner	12 inches (30 cm)	12 inches (30 cm)
H - Clearance to each side of centerline extended above meter/regulator assembly within 15 feet (4.5m) above.	3 feet (91 cm)	3 feet (91 cm)*
I - Clearance to service regulator vent outlet	3 feet (91 cm)	3 feet (91 cm)*
J - Clearance to non-mechanical air supply inlet to building or the combustion air inlet to any other appliance	12 inches (30 cm)	9 inches (23 cm)
K - Clearance to a mechanical air supply inlet	6 feet (1.83 m)	3 feet (91 cm) above if within 10 feet (3 m) horizontally
L - Clearance above paved sidewalk or paved driveway located on public property	7 feet (2.13 m)	7 feet (2.13 m)*
M - Clearance under veranda, porch deck, or balcony	12 inches (30 cm)	12 inches (30 cm)

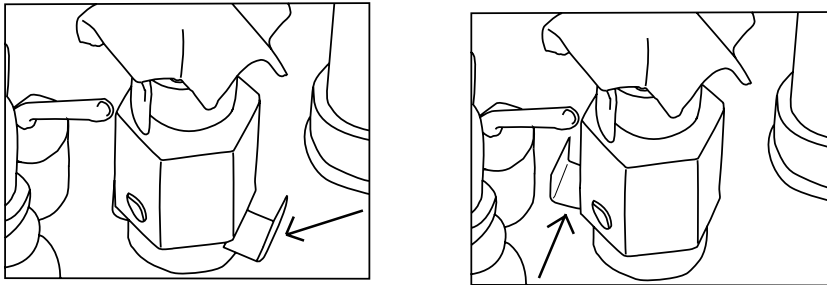
\* Recommended clearances only. Check with local codes.

Table 2. Canadian and U.S. installation clearances

## 5. Gas Line Connection

### 5.1. Fuel Conversion

This appliance is suitable for use with natural gas (NG) or propane (LP). Conversion from one gas to the other must only be performed by a qualified technician using only APR Industries Ltd. approved parts. APR Industries Ltd. Part # PCK3620 should be used when converting the appliance from NG to LP. APR Industries Ltd. Part # NGCK3620 should be used when converting the appliance from LP to NG. Both conversion kits come with an orifice and a regulator. When changing from one gas to another, make sure that the quick change pilot tab is in the correct position. The following diagram shows the correct pilot tab position for each gas.



Natural Gas

Propane

Figure 11. Pilot tab positions

### 5.2. Gas Line Pressure

This appliance and its main gas valve must be disconnected from the gas supply piping system during any pressure testing of that system at test pressures in excess of 1/2 psi (3.5 kPa).

This appliance must be isolated from the gas supply piping system by closing its equipment shut-off valve during any pressure testing of the gas supply piping system at test pressures equal to or less than 1/2 psi (3.5 kPa).

The inlet pressure and manifold (outlet) pressure taps are both located on the face of the valve. Pressure taps are immediately upstream of the gas supply connection and are suitable for test gauge connection.

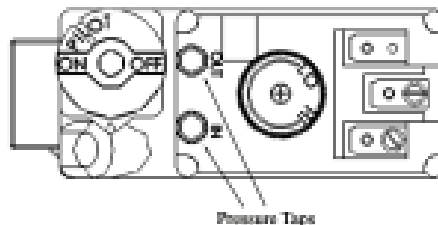


Figure 12. Pressure taps on the gas valve

Please refer to the following table for maximum and minimum inlet gas supply pressures.

Gas Line Pressures			
Gas	Supply Pressure (in. H2O)		
	Min	Normal	Max
Natural Gas (NG)	5.0	7.0	10.5
Propane (LP)	10.5	11.0	13.0

Table 3. Supply pressures

Gas Line Pressures		
Gas	Manifold Pressure (in. H2O)	
	High	Low
Natural Gas (NG)	3.5	0.9
Propane (LP)	10	2.7

Table 4. Manifold pressures

## **6. Electrical**

The appliance, when installed with optional blower, must be electrically grounded in accordance with local codes or, in the absence of local codes, with the *National Electrical Code, ANSI/NFPA 70*, or the *Canadian Electrical Code, CSA C22.1*.

It should be noted that the optional blower portion of this appliance is equipped with a three-prong (grounding) plug for your protection against shock hazard and should be plugged directly into a properly grounded three-prong receptacle. Do not cut or remove the grounding prong from this plug.

Connect the wall switch, optional wall thermostat or remote control to the appliance as shown in figure 12.

DO NOT CONNECT THE WALL SWITCH TO AN EXTERNAL SOURCE OF POWER. This would damage the valve and other components.

CAUTION: Label all wires prior to disconnection when servicing controls. Wiring errors can cause improper and dangerous operation.

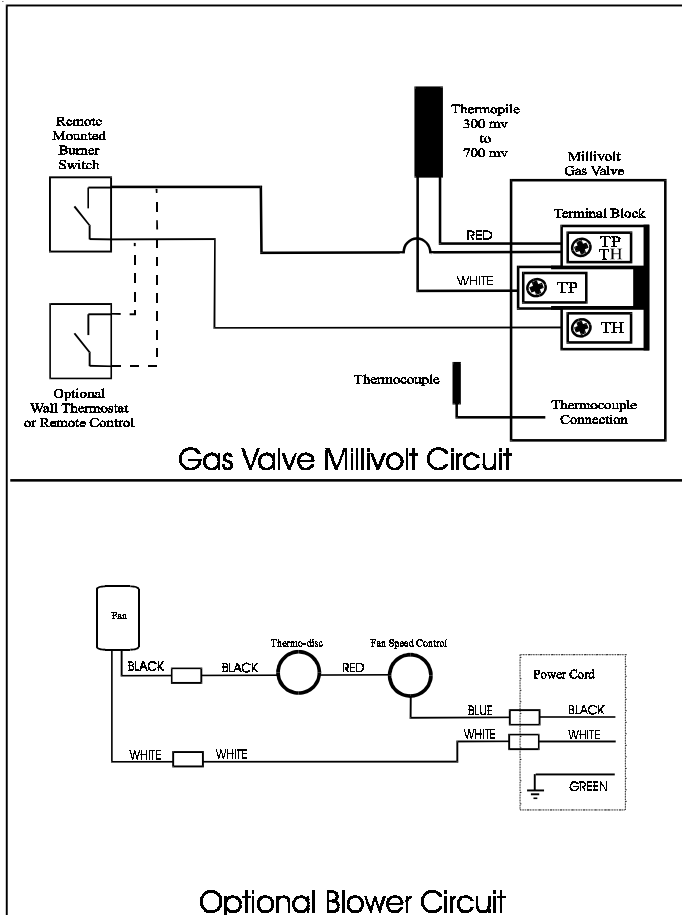


Figure 13. Circuit diagram for the FDV 3620

## **7. Blower Installation (optional)**

A blower can be installed as an option for your appliance. **The installation of the blower must be done by a qualified installer.** The blower comes complete with installation instructions, wiring harness, blower speed control, thermal disk and fasteners. Please refer to the instructions included with the blower for installation. In the absence of any instructions please follow the following general procedure:

1. Allow fireplace to cool to room temperature.
2. Turn OFF Gas and Electricity to the appliance.
3. Remove the cover plate or access cover, if present.
4. Mount the blower, blower speed control, thermal disk and power cord.
5. Wire the components according to the wiring diagram. (See electrical section)
6. Replace cover plate.
7. Turn electricity and gas ON.
8. Verify proper operation of the burner, blower and blower speed control.

## 8. Finishing

### 8.1 Louvers Removal and Installation

Remove the louvers from their protective packaging. Hang the top louver on the tabs above the combustion chamber as shown in Figure 13. Hang the bottom louver on the tabs below the combustion chamber as shown in Figure 13.

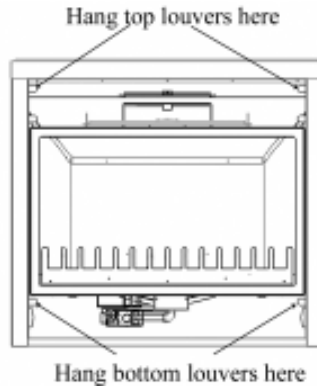


Figure 14. Louver installation and removal

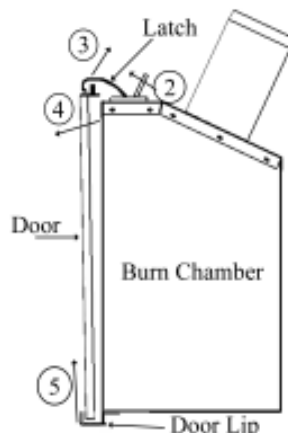
### 8.2 Door Removal and Installation

Follow these steps to properly remove the door to your appliance (see Figure 14):

1. Remove the top and bottom louvers (see *Louvers Removal and Installation* section for details)
2. Holding the door closed with one hand, use your free hand to pull both latches up and forwards to release the door.
3. Detach both latches from the raised tabs on the door with your free hand.
4. Holding the door on both sides, rotate the top of the door slightly forwards.
5. Lift the door from its slot at the bottom of the door.
6. Place the door on a suitable flat surface. Do not stand the door up as it may fall over and damage the glass and/or frame.

Installation is the reverse of removal.

Figure 15. Installation and removal of the door frame



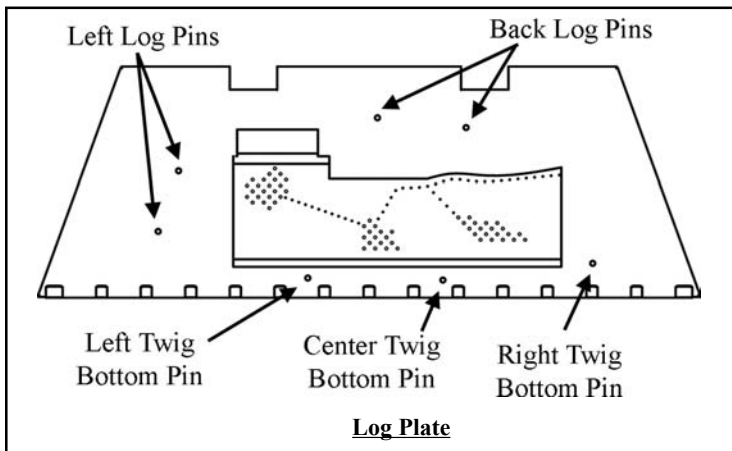
**WARNING:** Do not operate this appliance with broken glass.

**CAUTION:** Mishandling of the door, such as striking, dropping or slamming the door shut, can result in damage to the door or to the appliance and may lead to malfunction of the appliance.

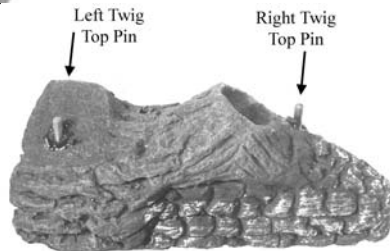
**CAUTION:** Do not attempt to install or remove the door when hot. Always allow the appliance to cool completely before removing the door.

### 8.3 Log Placement

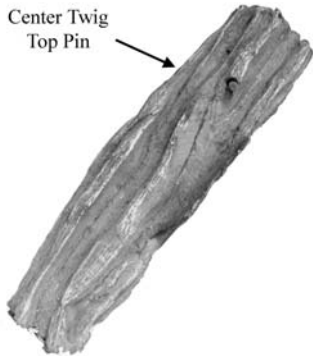
Your appliance comes with a 5 piece campfire log set. Each piece of this log set is designed to fit on 2 locator pins. The following diagrams should help you in placing the logs properly. Please familiarize yourself with each piece of this log set and their corresponding locator pins.



**Left Log (#1)**  
(see Log Plate for locator pins)



**Back Log (#2)**  
(see Log Plate for locator pins)



**Left Twig (#3)**  
(see Log Plate and Back Log for locator pins)

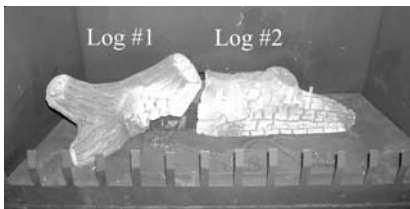


**Center Twig (#4)**  
(see Log Plate and Right Twig for locator pins)

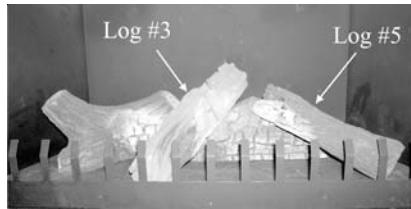


**Right Twig (#5)**  
(see Log Plate and Back Log for locator pins)

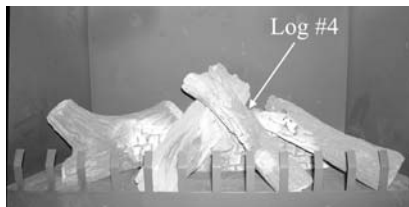
The following diagrams show how to properly assemble the log set. Please ensure all logs are properly seated on their locator pins before proceeding to the next step. Failure to do so can result in improper log placement and poor operation.



Step #1 ; Insert Logs 1 and 2



Step #2 ; Insert Logs 3 and 5



Step #3 ; Insert Log 4

Figure 16. FDV 3620 Campfire log set installation

#### 8.4 Ember Placement

Ember wool is used with this appliance to add a nice glow to the flame and logs. The embers come in a small plastic bag inside the burn chamber. Tear the embers into small, thin pieces and **DO NOT** cover any burner ports. Covering the burner ports can result in a poor flame and poor burning conditions. Place the embers on the burner in front of log 2. Refer to Figure 16 for more information

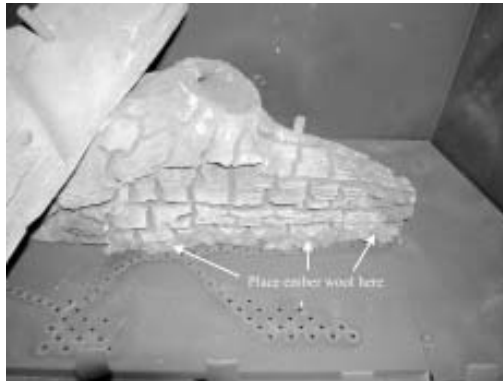


Figure 17. FDV 3620 ember placement

#### 8.5 Lava Rock Placement (optional)

Optional lava rock is available for your fireplace to provide added appeal. Place the lava rock randomly on the inside of the burn chamber. Make sure you do not cover any burner port holes or any areas that can affect the flame pattern. Place the lava rock behind, to the side and in front of the log set, covering the log plate area. Refer to Figure 18 for more information



Figure 18. FDV 3620 lava rock placement

**CAUTION:** Lava rock is for cosmetic purposes only. **DO NOT** place lava rock on any burner ports or air holes. This can cause poor/incomplete combustion and result in dangerous operation.

## 8.6 Decorative Door Designs (optional)

Decorative door designs are available for your appliance and must be purchased separately from your local dealer or through APR Industries Ltd.. There are several different decorative doors to choose from and each creates a distinctive look for your fireplace. For more information on the available options, please see your dealer or visit [WWW.KOZISTOVES.COM](http://WWW.KOZISTOVES.COM).

Door designs are very simple to install and remove. Removing the door (see door installation and removal section) and slip the decorative door on the door frame as shown in figure 19. Once the decorative door has been placed on the door frame, bend the 4 tabs downward with a pair of pliers so that the decorative door remains firmly in place.

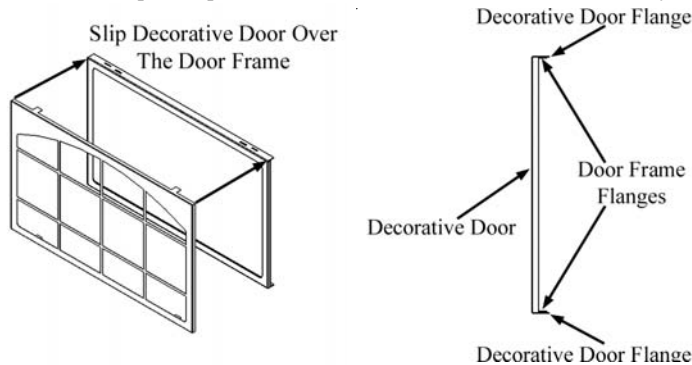


Figure 19. Decorative door installation.

## **III. Operation**

Lighting instructions can be found on the back side of the rating plate attached to your appliance. We have also provided a copy of the lighting instructions at the end of this manual for your reference. Please follow these instructions exactly to prevent fires or explosions from occurring which may result in property damage, personal injury or loss of life.

### 1.1 Venturi Adjustment

The venturi controls the amount of air that passes through the burner. Opening the venturi causes more air to flow through the burner and results in a blue flame. Opening the venturi too much can cause flame lifting and should be avoided. Closing the venturi reduces the amount of air passing through the burner and results in a yellow flame. Closing the venturi too much can lead to soot buildup and should be avoided.

When adjusting the venturi, allow the flame to stabilize for 15 - 20 minutes between adjustments.

**Adjusting the venturi opening must only be done by a qualified installer.**

The venturi is located in the venturi access beneath the burn chamber as shown in Figure 20. The cover plate must be removed to access the venturi. Make sure the gasket on the venturi cover plate does not get damaged or fall off. If the gasket is damaged, replace it immediately. Once the cover has been removed, the venturi can be adjusted using a Phillips screwdriver and needle nose pliers. The venturi has been factory set as follows : 1/16” for NG, and 3/16” for LP.

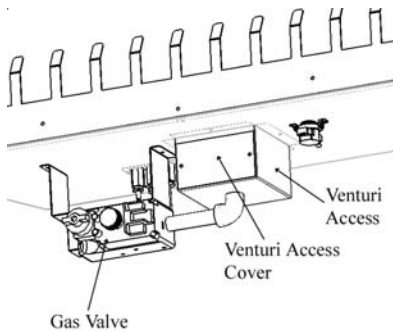


Figure 20. Location of the venturi

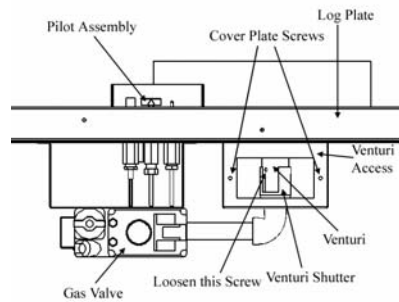


Figure 21. Adjustment of the venturi

### 1.2 Blower Speed Control (models with optional blower only)

If your fireplace is equipped with an optional blower, it will have a blower speed control as seen in Figure 22. This control is located behind the lower louver. The blower will only start once the fireplace has reached a factory set temperature. This may take up to 30 minutes in some cases. Once the blower starts, the amount of air moved is determined by the blower speed control. When the knob is turned fully counterclockwise, the blower is in the OFF position. Turning the knob clockwise slightly will turn the blower to the high setting. Continuing to turn the knob clockwise will reduce the blower speed.



Figure 22. Blower speed control label

## **IV. Maintenance**

Your appliance has been carefully designed with safety and efficiency features. Replace components only with suitable APR Industries Ltd. approved parts. Substituting non-equivalent parts can result in compromised safety and/or reduced efficiency.

### **1. Glass Cleaning**

In order to properly clean the glass, the door must be removed. (See *Door Removal and Installation* section for details) Using a soft cloth and liquid glass cleaner, clean the inside surface of the glass.

CAUTION: Do not attempt to clean the glass when hot. Always allow the appliance to cool to room temperature before attempting to clean the glass.

CAUTION: Never use abrasive cleaners or cloths to clean the glass. Glass may get scratched and become unsafe.

Reinstall the door on the appliance (see *Door Removal and Installation* section for details). Using a soft cloth and liquid glass cleaner, clean the outside surface of the glass.

The glass should be cleaned after the first 3 to 4 hours of burning. The glass should be cleaned as needed after the initial burn period.

If you notice that the glass has become cracked, broken or damaged, immediately turn the appliance off and replace the glass. See the *Glass Replacement* section on how to replace a damaged glass.

### **2. Glass Replacement**

The FDV 3620 comes equipped with a tempered glass door. If the glass should become cracked, broken or damaged, follow these steps to remove the glass:

1. Make sure to keep children and pets at a safe distance.
2. Allow all pieces to cool before handling.
3. Carefully remove the door frame. (See *Door Removal and Installation* section for details)
4. Vacuum all remaining glass pieces.
5. Replace the damaged glass only with an APR Industries Ltd. approved glass.
6. Installation of the replacement glass should be done by a licensed or qualified service person.

WARNING: Do not operate appliance with the glass front removed, cracked or broken.

### **3. Gaskets**

Periodically check the explosion vent, door frame and venturi access gaskets. Make sure these gaskets are in good working order and are not worn down, torn or damaged. Do not operate the appliance if these gaskets need to be replaced.

### **4. Burner and Combustion Chamber**

Your appliance should be checked and cleaned regularly to make sure that it is running as efficiently as possible. Make sure that all of the ports on the burner have a flame. If they do not have a flame, they could be plugged up with debris and need to be cleaned. Also check to make sure the pilot assembly is working properly. The flame coming from the pilot hood should be touching both the thermocouple and thermopile as shown in Figure 23A. If this does not occur, please contact your local dealer or service representative.

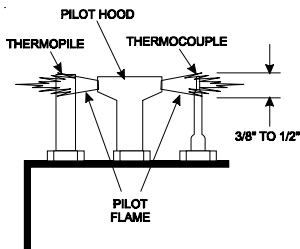


Figure 23A, Correct pilot flame.

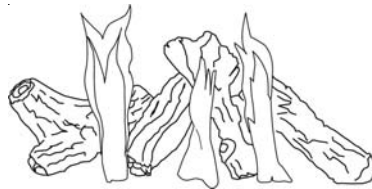


Figure 23B, Correct burner flame.

Follow these steps to clean your appliance:

1. TURN THE GAS TO THE APPLIANCE OFF AND ALLOW THE APPLIANCE TO COOL before doing any maintenance work on the appliance.
2. Remove the door from the appliance (see section entitled "Door Removal") and clean the glass if necessary.
3. Once the door has been removed, visually inspect the log. Make sure that there is no soot build up on the log and that the logs are still in good condition.  
Note: The logs are fragile and require care when handling.
4. Once the logs have been removed, remove all of the lava rock from the top of the burner and the log plate.
5. Visually inspect the burner. Make sure all of the burner ports are free from debris. Vacuum the burner clean if necessary.
6. Remove the log plate from the burn chamber. Check beneath the log plate for fallen lava rock or embers. If necessary, vacuum the log plate clean.
7. Replace the log plate, log, embers, lava rock and door back to their original positions.
8. Check the pilot assembly to make sure it is working properly. The flame coming from the pilot hood should be touching both the thermocouple and thermopile. If this does not occur, please contact your local dealer or service representative.

The venting of this appliance should be checked regularly by a qualified service person. Have them verify that the combustion and ventilation air is not obstructed.

Make sure to keep all combustible materials, gasoline and other flammable vapors and liquids away from the appliance. When these are heated at an elevated temperature, they can cause fires or explosions which can result in damage to the home, severe injury or even death.

More frequent cleaning may be required due to excessive lint from carpeting, bedding material, etc. It is imperative that the control compartment, burner and circulating air passageways of the appliance be kept clean.

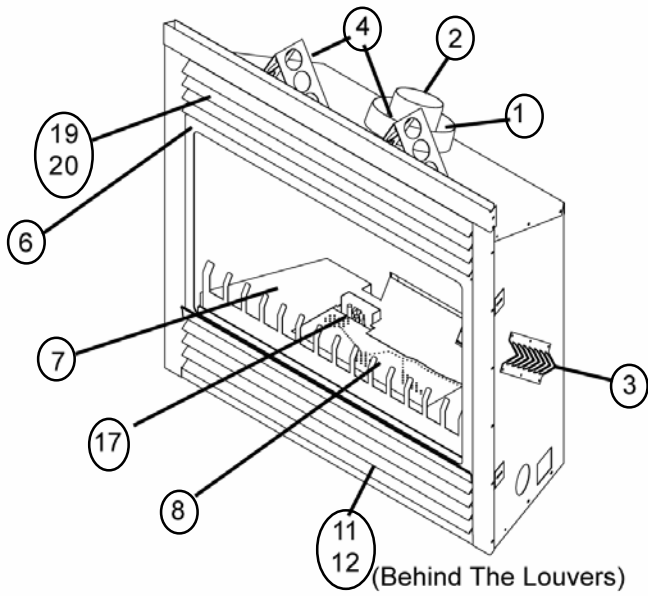
## **V. Diagrams and Parts Lists**

### **1. Parts List**

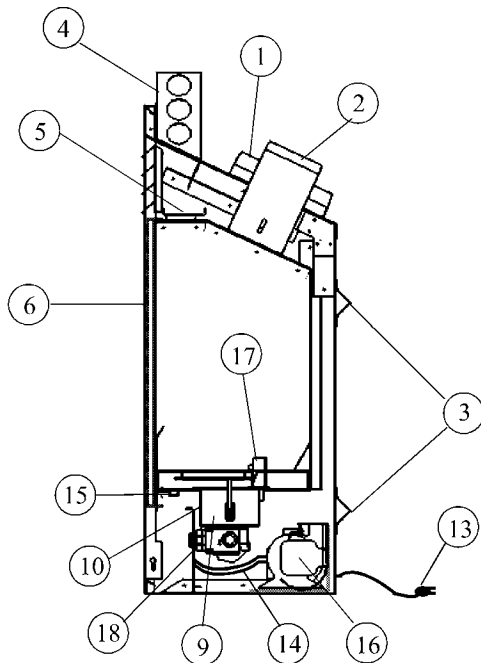
Item No.	Description	Part No.
<b>Main Body Parts</b>		
1	7" Gas Collar	N/A
2	4" Gas Collar	N/A
3	Rear and Side Standoffs	N/A
4	Top Standoffs	N/A
5	Explosion Vent Plate	N/A
6	Door Frame	N/A
7	Log Plate	N/A
8	Burner - Natural Gas & Propane	N/A
9	Venturi Access	N/A
10	Venturi Access Cover	N/A
<b>Gaskets &amp; Gasket Kits</b>		
Not Shown	Tadpole Door Gasket	
Not Shown	Venturi Access Cover Gasket	
Not Shown	Explosion Vent Plate Gasket	
<b>Electrical Components</b>		
11	ON/OFF Wall Switch	
12	Piezo Igniter	
13	Power Cord (For Optional Blower)	
14	Wiring Harness (For Optional Blower)	
15	Thermal disk (For Optional Blower)	
16	Blower (Optional)	
<b>Gas Components</b>		
Not Shown	Propane Conversion Kit - (Includes Propane Regulator and Brass Propane Orifice)	PCK3620
17	Pilot Assembly - (Includes Thermopile, Pilot Hood, Thermocouple)	
18	Main Gas Valve	
<b>Kits, Assemblies &amp; Other Options</b>		
Not Shown	Decorative Door Design - See your local dealer or <a href="http://www.kozistoves.com">www.kozistoves.com</a>	N/A
19	Louver Assembly - (Includes Black Louvers and Black Louver Clips)	
20	Louver Assembly - (Includes Brass Louvers and Black Louver Clips)	
Not Shown	Optional Blower Installation kit - (Blower, Wiring Harness, Blower Speed Control and Thermal Disk)	
Not Shown	Replacement Glass	
Not Shown	Complete Door	
Not Shown	3' Horizontal Vent Installation Kit	FDVHVK3
Not Shown	5' Horizontal Vent Installation Kit	FDVHVK5
Not Shown	Vertical Vent Terminal (up to 30' vertical)	FDVVT30

For a complete list of parts and venting please see your local dealer.

## 2. FDV 3620 Parts



## 3. FDV 3620 Cross Section



## 4. Lighting Instructions

### FOR YOUR SAFETY READ BEFORE LIGHTING

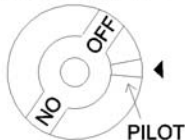
**WARNING: IF YOU DO NOT FOLLOW THESE INSTRUCTIONS EXACTLY, A FIRE OR EXPLOSION MAY RESULT CAUSING PROPERTY DAMAGE, PERSONAL INJURY OR LOSS OF LIFE.**

- A. This appliance has a pilot which must be lighted by hand. When lighting the pilot, follow these instructions exactly.
- B. **BEFORE LIGHTING** smell all around the appliance area for gas. Be sure to smell next to the floor because some gas is heavier than air and will settle on the floor.
- WHAT TO DO IF YOU SMELL GAS**
- Do not try to light any appliance.
  - Do not touch any electric switch; do not use any phone in your building.
  - Immediately call your gas supplier from a neighbor's phone. Follow the gas supplier's instructions.
  - If you cannot reach your gas supplier, call the fire department.
- C. Use only your hand to push in or turn the gas control knob. Never use tools. If the knob will not push in or turn by hand, don't try to repair it, call a qualified service technician. Force or attempted repair may result in a fire or explosion.
- D. Do not use this appliance if any part has been under water. Immediately call a qualified service technician to inspect the appliance and any gas control which has been under water.

### LIGHTING INSTRUCTIONS

1. **STOP!** Read the safety information above on this label.
2. Set the switch on the surround to "OFF".
3. Turn off all electric power to the appliance.
4. Open control access panel (lower louver).
5. Push in gas control knob slightly and turn clockwise  $\odot$  to "OFF".

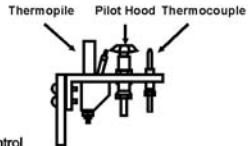
#### MAIN VALVE



**NOTE:** Knob cannot be turned from "PILOT" to "OFF" unless knob is pushed slightly. Do not force.

6. Wait five (5) minutes to clear out any gas. If you then smell gas, including near the floor, **STOP!** Follow "B" in the safety information above on this label. If you don't smell gas, go to next step.

7. Locate pilot between front and rear logs.



8. Turn knob on gas control  $\odot$  counterclockwise to "PILOT".
9. Push in control knob all the way and hold in. Immediately light the pilot by continually pushing and releasing the red piezo button. Continue to hold the control knob in for about one (1) minute after the pilot is lit. Release knob and it will pop back up. Pilot should remain lit. If it goes out, repeat steps 4 through 8.
  - If knob does not pop up when released, stop and immediately call your service technician or gas supplier.
  - If the pilot will not stay lit after several tries, turn the gas control knob to "OFF" and call your service technician or gas supplier.
10. Turn gas control knob counterclockwise  $\odot$  to "ON".
11. Close control access panel (lower louver).
12. Turn on all electric power to the appliance.
13. Set switch on the surround to "ON".

### TO TURN OFF GAS TO APPLIANCE

1. Turn off all electric power to the appliance if service is to be performed.
2. Open control access panel (lower louver).
3. Push in gas control knob slightly and turn clockwise  $\odot$  to "OFF". Do not force.
4. Close control access panel (lower louver).

## VI. Trouble Shooting Guide

**All trouble shooting should be performed by a qualified service person. Do not attempt to adjust any portion of this appliance.**

Problem	Possible Causes	Relevant Section or Required Action
Pilot does not light	Defective piezo igniter.	Replace piezo igniter.
	No spark at the pilot assembly.	Make sure piezo igniter is tightened securely. The igniter must be grounded in order to function properly. If the igniter is loose it will not be grounded.
	Spark gap between the tip of the electrode and pilot hood is incorrect.	Replace the electrode if it is cracked or broken. The gap between the tip of the electrode to the pilot should approximately be 1/8" to 3/16". Adjust the electrode to fall within this range.
	No gas reaching the pilot.	The pilot orifice may be blocked. Loosen the pilot and remove the debris in the orifice hole. Make sure lighting instructions were followed carefully. Faulty gas valve. Replace the gas valve.
Pilot lights, but does not remain on after releasing the gas knob on the gas valve.	Defective gas valve.	Replace gas valve.
	Pilot flame not properly surrounding the thermocouple.	Adjust the pilot hood so the flame engulfs more of the thermocouple.
	Pilot flame is too short.	Turn the pilot flame up.
	Gas line not purged properly.	Purge the gas line.
Pilot remains on, but burner does not light. (Gas valve is ON and burner switch is ON)	Burner orifice is plugged.	Remove debris from the orifice opening.
	Main burner holes are plugged.	Remove debris from the burner holes.
	Burner switch is defective.	Replace burner switch.
	Defective gas valve.	Replace gas valve.
Burner flames are too large or too small. As a result, carboning occurs.	Supply and manifold pressures may be incorrect.	Take readings from the gas valve and ensure that the readings match the values in Tables 2 and 3 on Page 13.
Noticeable blue, lazy and transparent burner flames.	Incorrect installation of the fireplace venting.	Check the venting and ensure that the venting is installed correctly. If it is not installed correctly, remove the venting and re-install. Follow the instructions stated in this manual.
	Venting and or vent terminal is blocked.	Remove any debris or material blocking the venting and or vent terminals.
Noticeable carbon build up on the logs, burn chamber and/or glass.	Logs are placed in the wrong positions.	Remove logs and replace them in the correct positions.
	Insufficient air to the burner.	Increase the venturi opening. See the section entitled "Venturi Adjustment" on how to adjust the venturi.
	Supply and manifold pressures may be incorrect.	Take readings from the gas valve and ensure that the readings match the values in Tables 2 and 3 on Page 13.
	Door gasket or explosion vent gaskets are damaged or broken.	Replace the gaskets.
	4" and 7" venting is not sealed properly.	Re-seal the venting or replace entirely if re-sealing is not possible.
Gas smelled in the room. Fireplace is leaking gas.	Door gasket is broken or damaged.	Replace door gasket.
	Explosion vent gasket is broken or damaged.	Replace explosion vent gasket.
	Gas valve connections leak gas.	Soap water test all connections to find any leaks. Tighten any connection that leaks gas.
	Insufficient fresh air supply to the fireplace.	Increase fresh air supply.
	Chimney is blocked.	Remove all debris blocking the chimney.

## VII. Warranty

APR Industries Ltd. honors a five-year limited warranty on all steel fabricated parts and a one-year warranty on all electrical and gas parts. The following items are not covered under warranty.

1. Glass
2. Gasket and Seals
3. Ceramic Bricks
4. Paint and Powder Coating

Contact your dealer for warranty information.

The limited warranty covers defects in the material and poor workmanship as long as the heater has been installed in accordance to the instruction manual. Warranty is void if the heater is misused or modified. It is APR Industries Ltd.'s option whether to repair or replace the parts. The customer pays all shipping costs to and from the factory.

**WWW.KOZISTOVES.COM**



**WWW.KOZISTOVES.COM**

**This page intentionally left blank**



[WWW.KOZISTOVES.COM](http://WWW.KOZISTOVES.COM)