



## **KOZI CDVI INSTALLATION AND OPERATION MANUAL**

Appliance Type: Direct Vent Gas Fireplace Heater for installation in solid fuel fireplace.  
Test Standard: Harmonized, ANSIZ21.88 CSA 2.33-M98, CAN/CGA 2.17

Proper installation, operation and maintenance procedures are critical to all gas fired appliances. Please read this manual thoroughly and retain for future use.

**WARNING:** If the information in these instructions is not followed exactly, a fire or explosion may result causing property damage, personal injury or loss of life.

- Do not store or use gasoline or other flammable vapors and liquids in the vicinity of this or any other appliance.
- **WHAT TO DO IF YOU SMELL GAS**
  - Do not try to light any appliance.
  - Do not touch electrical switches; do not use the phone in your building.
  - Immediately call your gas supplier from a neighbor's phone.
  - Follow your gas supplier's instructions.
  - If you cannot reach your gas supplier, call the fire department.
- Installation and service must be performed by a qualified installer, service agency or gas supplier.

This appliance may be installed in an aftermarket permanently located, manufactured (mobile) home, where not prohibited by local codes.

This appliance is only for use with the type(s) of gas indicated on the rating plate. This appliance is not convertible for use with other gases, unless a certified kit is used.

## TABLE OF CONTENTS

INTRODUCTION.....	3
<b>KØZI</b> CDVI SPECIFICATIONS .....	4
<b>KØZI</b> CDVI GAS CONTROL PARTS LIST.....	4
UNIT DIMENSIONS.....	5
REQUIRED INSTALLATION COMPONENTS.....	6
INSTALLATION REQUIREMENTS .....	7
CLEARANCES.....	8
COMBUSTION AIR INLET AND EXHAUST GAS OUTLET .....	9
GAS SUPPLY AND HOOK-UP .....	11
SURROUND ASSEMBLY.....	12
SURROUND INSTALLATION .....	13
SURROUND INSTALLATION .....	13
FINAL ASSEMBLY .....	13
FINAL ASSEMBLY .....	13
FIREBOX ACCESS.....	15
CERAMIC BOARD, LOG AND EMBER INSTALLATION.....	16
LIGHTING INSTRUCTIONS .....	17
MAINTENANCE.....	18
GLASS MAINTENANCE AND REPLACEMENT .....	19
BURNER PRIMARY AIR ADJUSTMENT .....	20
BLOWER OPERATION .....	21
BLOWER WIRING DIAGRAM.....	22
LIMITED LIFETIME WARRANTY.....	23
RATING PLATE DIAGRAM.....	24

## **INTRODUCTION**

Your KOZI CDVI is a quality gas-burning appliance. With proper installation and maintenance, it will serve you well with many years of trouble free heating, and the wonderful ambiance a gas fireplace adds to your home.

Before beginning the installation of your appliance, read these instructions through completely and consult your local building authority. Install the unit and its' venting system only as described in these instructions.

This appliance and its' approved components are safe when installed according to this installation manual and are operated as recommended. Unless you use approved components tested for this appliance, **YOU MAY CAUSE A FIRE HAZARD!**

The warranty will be voided by APR Industries Ltd. for the following actions:

- A) Modification of the appliance or any of the components manufactured by APR Industries Ltd. unless otherwise permitted by APR Industries Ltd.
- B) The use of any component part not approved by APR Industries Ltd. in combination with this appliance.
- C) Installation and/or operation in a manner other than instructed in this manual.
- D) The burning of anything other than the type of gas approved for use in this gas appliance.

APR Industries Ltd. also disclaims any responsibility for the above actions.

This appliance, when installed, must be electrically grounded in accordance with local codes, in the absence of local codes, with the NATIONAL ELECTRICAL CODE, ANSI/NFPA 70 and the CSA C22.1 CANADIAN ELECTRICAL CODE – PART ONE, SAFETY STANDARD FOR ELECTRICAL INSTALLATIONS for Canada.

The installation must conform to local codes or, in the absence of local codes, with the NATIONAL FUEL GAS CODE ANSI Z223.1 – 1999/NFPA 54-1999 or NATURAL GAS AND PROPANE INSTALLATION CODE CSA B149.1.

This gas fireplace has been tested and certified for use in the USA and Canada by Warnock Hersey according to the following Standards; ANSI Z21.88 - 1998/CSA 2.33 – M98, CAN/CGA 2.17-M91

**CHILDREN AND ADULTS SHOULD BE ALERTED TO THE HAZARDS OF HIGH SURFACE TEMPERATURE AND SHOULD STAY AWAY TO AVOID BURNS OR CLOTHING IGNITION.**

**YOUNG CHILDREN SHOULD BE CAREFULLY SUPERVISED WHEN THEY ARE IN THE SAME ROOM AS THE APPLIANCE. CLOTHING OR OTHER FLAMMABLE MATERIAL SHOULD NOT BE PLACED ON OR NEAR THE APPLIANCE.**

Do not use this appliance if any part has been under water. Immediately call a qualified service technician to inspect the appliance and replace any part of the control system or any gas control that has been under water.

## **KOZI CDVI SPECIFICATIONS**

MODEL	CDVIN	CDVIP
FUEL	NATURAL GAS	PROPANE GAS
INPUT	27,000 BTU/H	27,000 BTU/H
MANIFOLD PRESSURE (VARIABLE)	0.9-3.5" W.C.	2.5-10" W.C.
MINIMUM INLET GAS PRESSURE	5" W.C.	11" W.C.
ORIFICE SIZE (0-4,500 FT.)	#38	#53

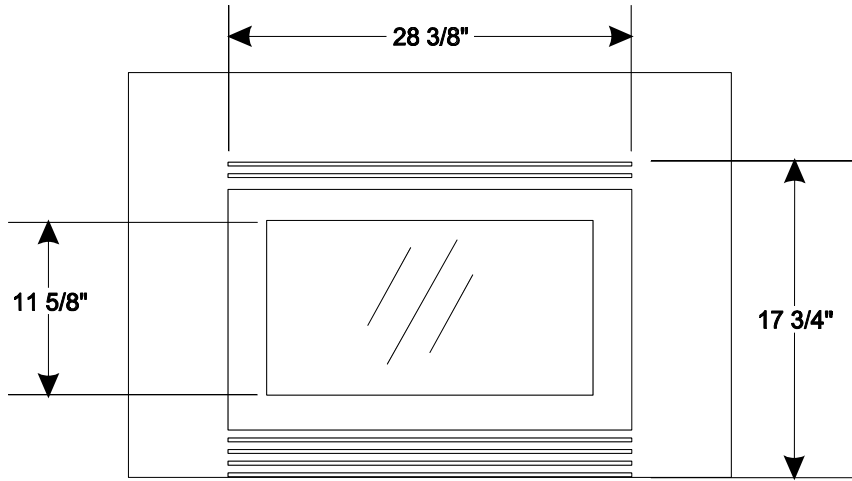
## **KOZI CDVI GAS CONTROL PARTS LIST**

CONTROL VALVE:	ROBERTSHAW NATURAL GAS	7000 MVRB-3-LC
	ROBERTSHAW PROPANE	7000 MVRB-3-LC-LP
PILOT ASSEMBLY:	PSE	PSE-NA213
THERMOPILE:	PSE	PSE-018A
THERMOCOUPLE	PSE	PSE-019
PIEZO IGNITOR:	Morgan Electro Ceramics	662703-03

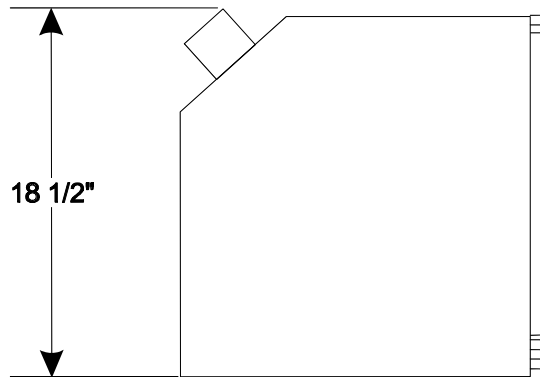
Contact your **KOZI** dealer or APR Industries Ltd. direct if replacement parts are required. This unit is convertible. Contact APR Industries Ltd. for required conversion kit.

# UNIT DIMENSIONS

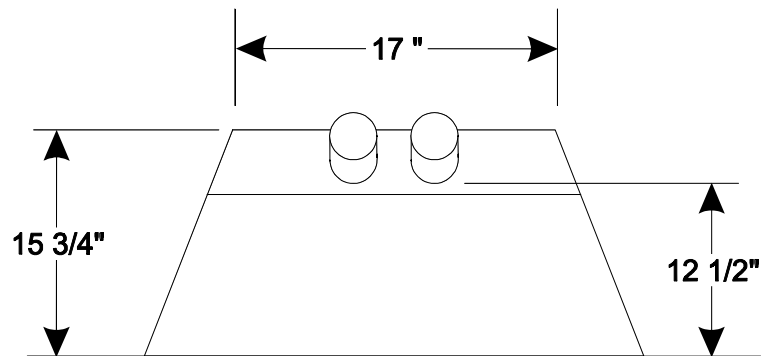
FRONT



SIDE



TOP



## **REQUIRED INSTALLATION COMPONENTS**

CDVI	<b>KOZI</b> CDVI unit Natural Gas
FPK3315 or FPK3335	15' Flex pipe venting kit, includes 2 lengths, 3" aluminum flex vent. 35' Flex pipe venting kit, includes 2 lengths, 3" aluminum flex vent.
CS4SS or CL4SS	Surround, Standard 4 sided Surround, Large 4 sided
CTC	Termination Cap
CPCK	Propane Conversion kit (From NG to LP) for use with propane gas only.

This unit has also been tested and approved for use with the DuraVent™ High Wind Vertical Top, #991, and 3" Collinear Termination Kit, #923GK

## INSTALLATION REQUIREMENTS

- The **KOZI** CDVI insert may only be installed in an existing wood burning fireplace that meets all local building and fire codes.
- Both masonry and factory built fireplaces considered correct for the use of solid fuels, and are suitable to host the installation.
- The original fireplace must not be modified in any manner that would cause it to be considered less structural or fire safe than prior to the insert installation.
- The minimum dimensions that the host fireplace must be are:
  - Opening width – 28 3/8"
  - Opening height – 17 3/4"
  - Rear width – 17" at 15 3/4" deep
  - Depth – 15 3/4"
- The insert and venting system must not be connected to a chimney flue serving a separate solid-fuel burning appliance.
- **DUE TO HIGH TEMPERATURES, THE INSERT SHOULD NOT BE INSTALLED IN A LOCATION THAT MAY CREATE A HAZARD BECAUSE OF TRAFFIC, FURNITURE OR DRAPERIES.**

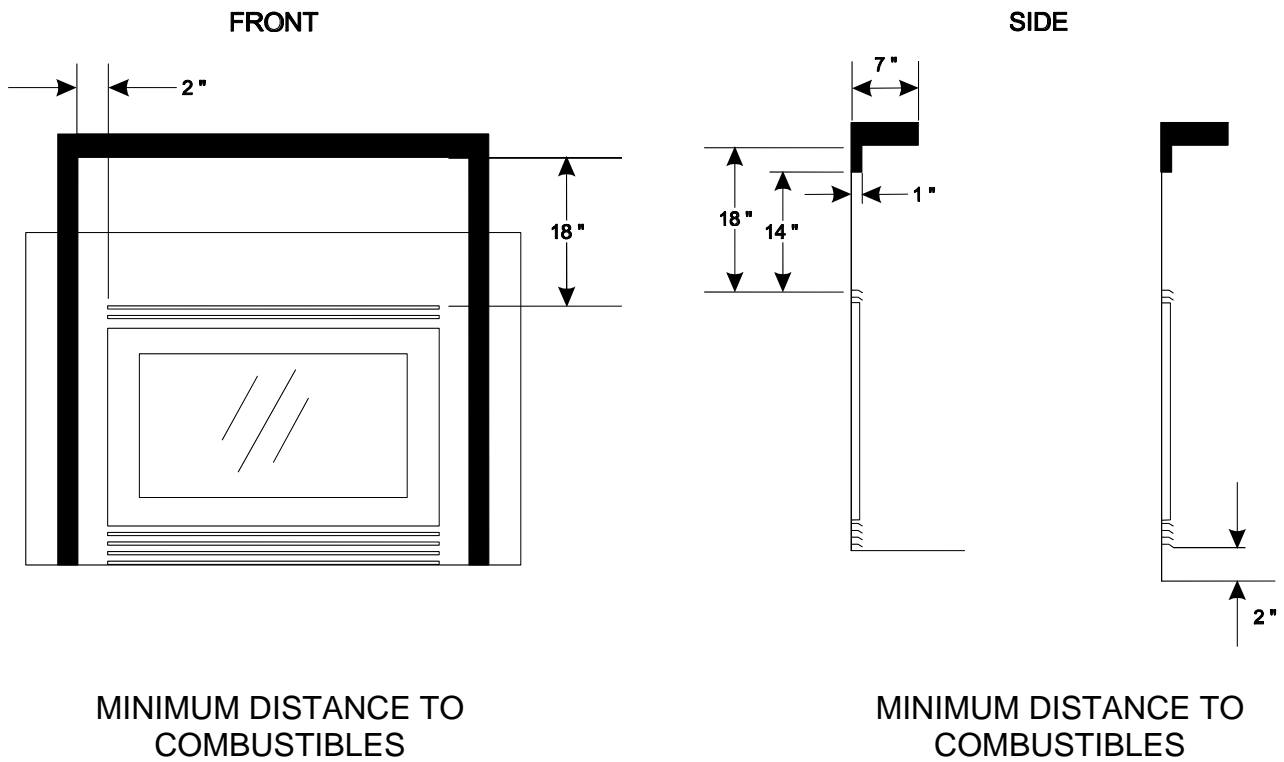
## CLEARANCES

### Minimum clearances to combustibles are:

Mantle: Maximum 7" deep, minimum 36" above hearth.

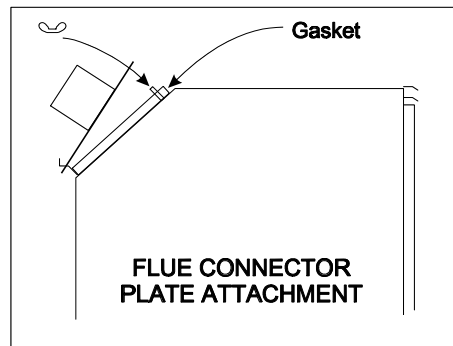
Sidewall: 2" from insert door, right or left sides.

Floor: Insert must sit a minimum 12" from all combustible material and must have a 12" x 1/2" non-combustible hearth (See "A" below) or the unit must sit in a raised opening at least 2" above a combustible flooring (See "B" below).



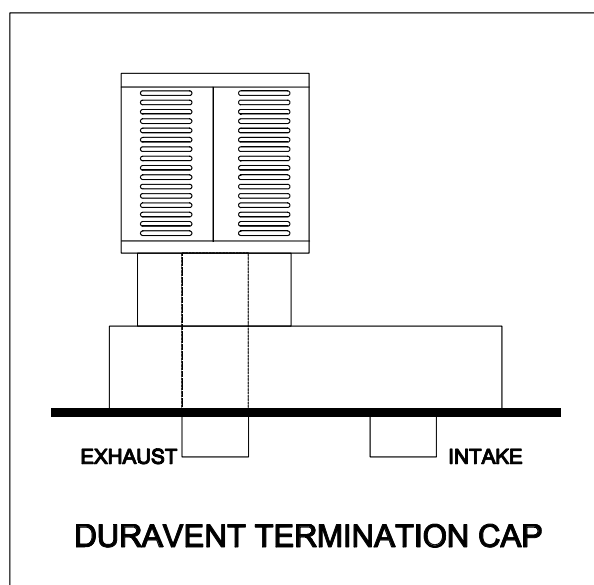
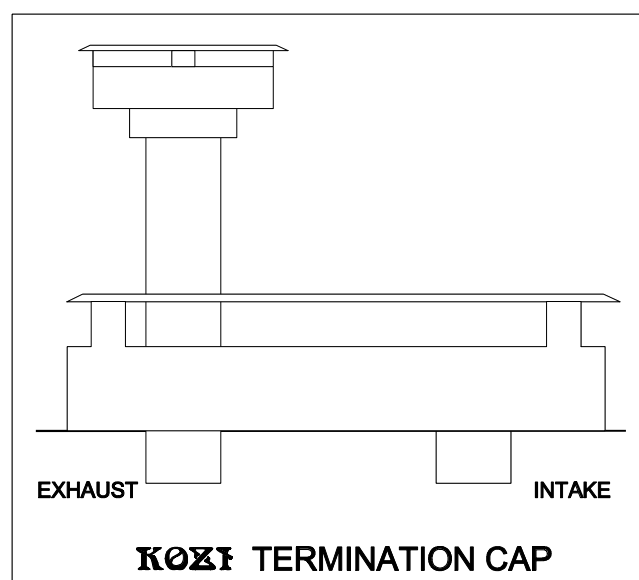
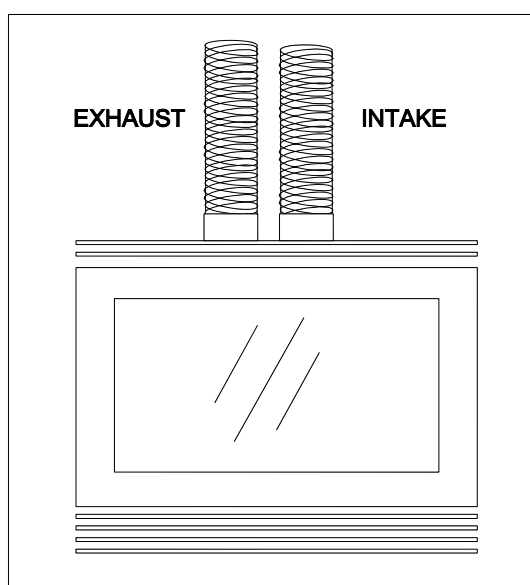
## COMBUSTION AIR INLET AND EXHAUST GAS OUTLET

- Your **KOZI** CDVI uses two - 3 inch diameter aluminum flex liners in its' vent system.
- One liner supplies air to the combustion chamber for the burning of the fire and the other carries the exhaust gases from the unit.
- The minimum allowable length of your flex liner is 9 feet. The maximum length is 35 feet. These measurements do not include the height of the insert or the rain cap. Any length between 9 feet and 35 feet is allowed, but never more or less than these lengths.
- Prior to installation, place the insert into the fireplace opening. Allow the front of the unit to protrude a minimum of 8 inches, allowing access for the remainder of the installation.
- The flex lengths are attached to the insert by way of a removable flue connector plate attached to the top of the unit. The plate may be lifted from the insert by removing the two wing nuts.
- Looking at the insert from the front, the intake collar is located on the right and the exhaust collar is located on the left.
- On the rain cap, the intake collar terminates at the flashing plate on the lower part of the cap while the exhaust collar terminates inside the upper area of the cap.
- All four collars on the insert and rain cap are tagged inlet or exhaust.
- The flex lengths are to be attached to the collars of the insert and rain cap by first applying a bead of high temperature "Mil-Pac" sealant to the collars. Next, slide the flex over the collars and finally secure with the supplied screw clamps.
- Make sure the connector plate gasket is in place and not obstructing the exhaust or intake ports. The unit may now be slid into the opening. The connector plate slips into 2 slots at the rear of the insert gasket. Using the 2 wing nuts, secure the connector plate onto the studs, which protrude through the connector plate. Tighten snugly. (See diagram at right)
- Make sure the inlet collar on the insert is correctly connected to the inlet collar on the rain cap.
- Make sure the exhaust collar on the insert is correctly connected to the exhaust vent leading to the exhaust collar on the rain cap.



- The aluminum flex liners must at all times be enclosed within the host fireplace and chimney system. AT NO TIME may they penetrate through or beyond the brick or metal flue system encasing them.
- The base/flashing area of the rain cap may be cut and formed to allow for attachment to the host flue system.
- Be sure not to obstruct the air openings of either the inlet or exhaust portions of the rain cap. Obstructions may adversely affect the performance of the insert.

The rain cap must be installed at the termination of the vent lengths. In no instance may the termination cap be left off.



## GAS SUPPLY AND HOOK-UP

- Your KOZI CDVI has been approved with the use of minimum 3/8" diameter copper tubing or an approved flexible connector for connection to the gas supply piping. The connector should enter the right side of the insert for the easiest connection.
- The following is a chart for the minimum and maximum supply pressures.

Gas	Minimum Supply Pressure	Normal Supply Pressure	Maximum Supply Pressure
Natural Gas	3.5" W.C.	7.0" W.C.	10.5" W.C.
Propane	8.0" W.C.	11.0" W.C.	13.0" W.C.

- The gas valve has it's own internal regulator which reduces the pressure within the following ranges: 0.9 to 3.5" W.C. for natural gas and 2.5 to 10.0" W.C for propane.
- The installation must conform to codes or, in absence of local codes, with **National Fuel Gas Code ANSI 223.1-1998** in the U.S.A and **CAN/CSA-B149.1-00** in Canada.

**PRESSURE TAPS ARE PROVIDED FOR CHECKING THE INLET AND OUTLET GAS PRESSURE. THESE TAPS ARE LOCATED ON THE FRONT OF THE VALVE BODY.**

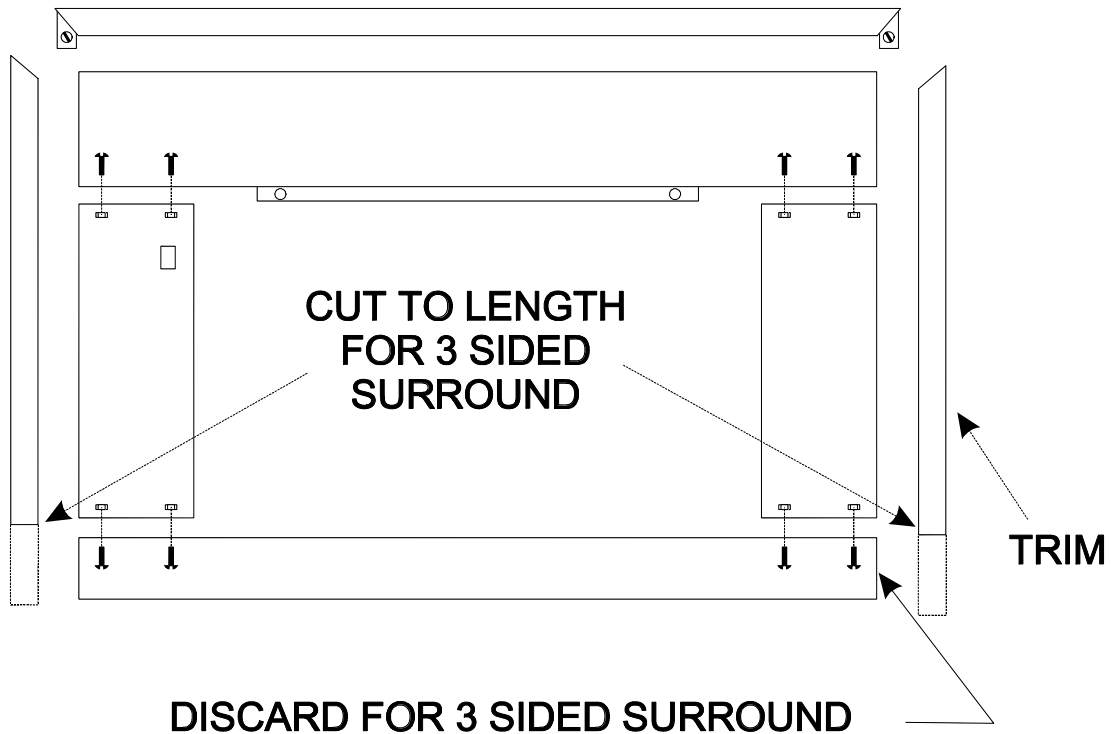
**THIS APPLIANCE AND IT'S INDIVIDUAL SHUT-OFF VALVE MUST BE DISCONNECTED FROM THE GAS SUPPLY PIPING SYSTEM DURING ANY PRESSURE TESTING OF THAT SYSTEM AT TEST PRESSURES IN EXCESS OF ½ Psig (3.5kPa)**

**THE APPLIANCE MUST BE ISOLATED FROM THE GAS SUPPLY PIPING SYSTEM BY CLOSING IT'S INDIVIDUAL MANUAL SHUT-OFF VALVE DURING ANY PRESSURE TESTING OF THE GAS SUPPLY PIPING SYSTEM AT TEST PRESSURES EQUAL TO OR LESS THAN ½ Psig (3.5kPa).**

**CAUTION: ALL GAS PIPING AND CONNECTIONS MUST BE TESTED FOR LEAKS AFTER THE INSTALLATION IS COMPLETED. AFTER ENSURING THAT THE GAS VALVE IS ON, APPLY A SOAP AND WATER SOLUTION TO ALL CONNECTIONS AND JOINTS. IF BUBBLES APPEAR, LEAKS CAN BE DETECTED AND CORRECTED. DO NOT USE AN OPEN FLAME FOR LEAK TESTING AND DO NOT OPERATE ANY APPLIANCE IF A LEAK IS DETECTED.**

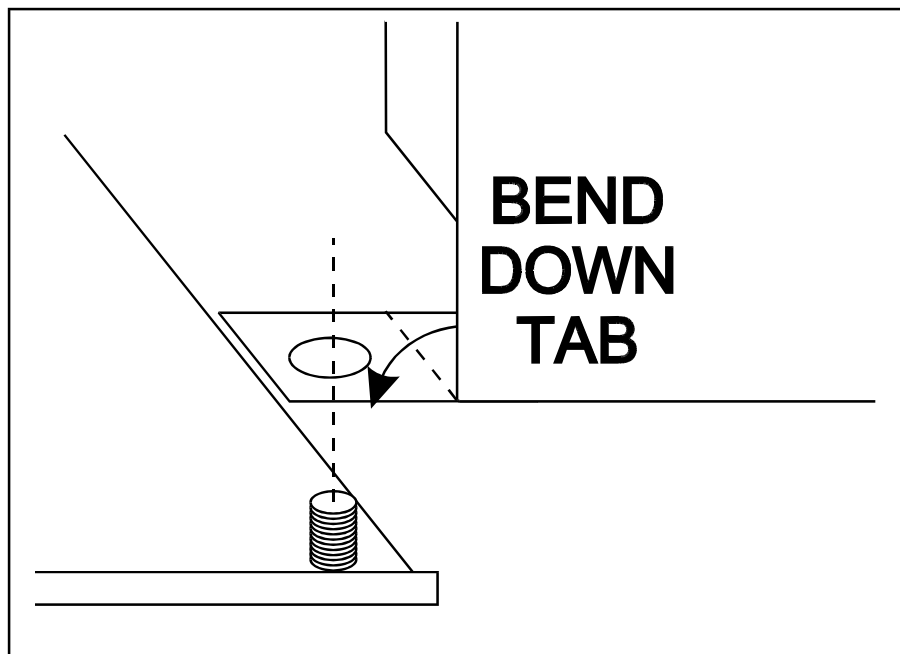
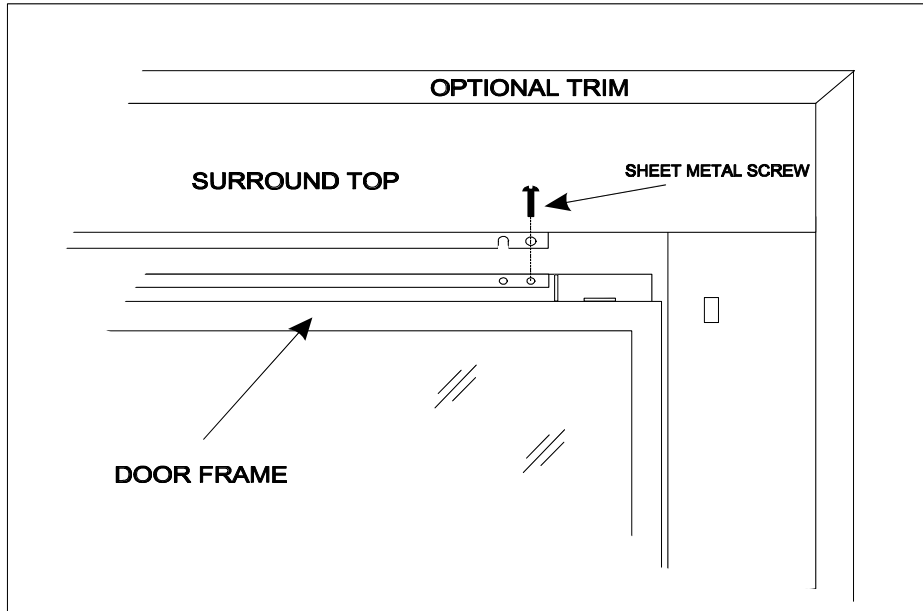
## **SURROUND ASSEMBLY**

1. Lay the surround pieces face down on a flat surface, as shown in the diagram below. Be careful not to scratch the painted surface.
2. For optional 3 sided surround installations, discard the lower panel and cut the optional side trims to the proper length.
3. Install the nuts and bolts as shown.
4. Slip the optional 3 piece picture frame or brass trim onto the outer edge of the surround. Make sure the corner keys fit into the outer trim pieces (picture frame trim only).
5. Pull the mitered corners together and tighten the screws in the corner keys with a slotted screwdriver (picture frame trim only).
6. Install two sheet metal screws, through the metal surround sides, into the aluminum trim pieces and tighten (picture frame trim only).



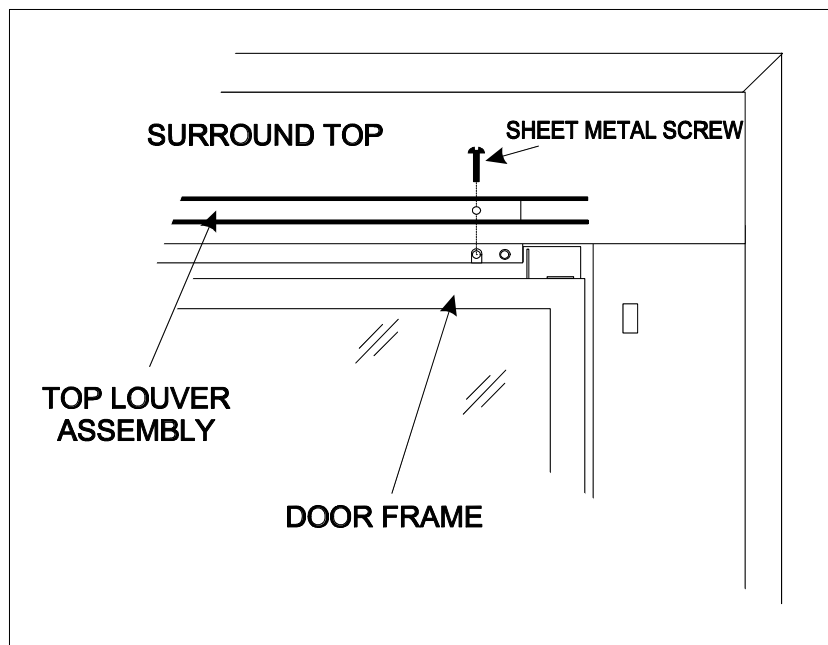
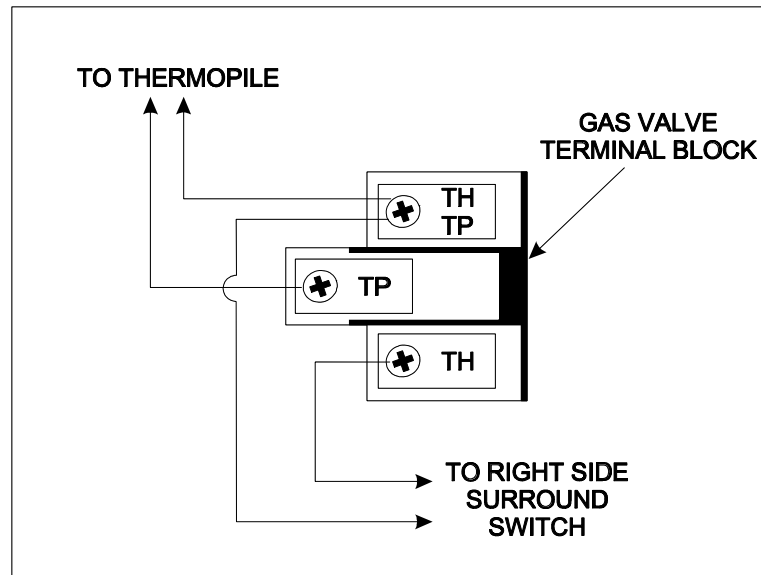
## **SURROUND INSTALLATION**

1. With the top and bottom louvers removed, slip the assembled surround over the unit.
2. Attach the top panel of the surround with 2 screws into the top of the unit (see first illustration below).
3. Locate the tabs in the bottom corners of the vertical surround sections. Bend the tabs down onto the studs in the base (see second illustration).



## FINAL ASSEMBLY

1. Install the on/off burner switch on the right side of the surround and connect the wires to the gas valve assembly as shown (see first illustration below).
2. Push the entire insert/surround assembly against the fireplace facing while centering the unit in the opening.
3. Install the upper and lower louvers (see second illustration below).



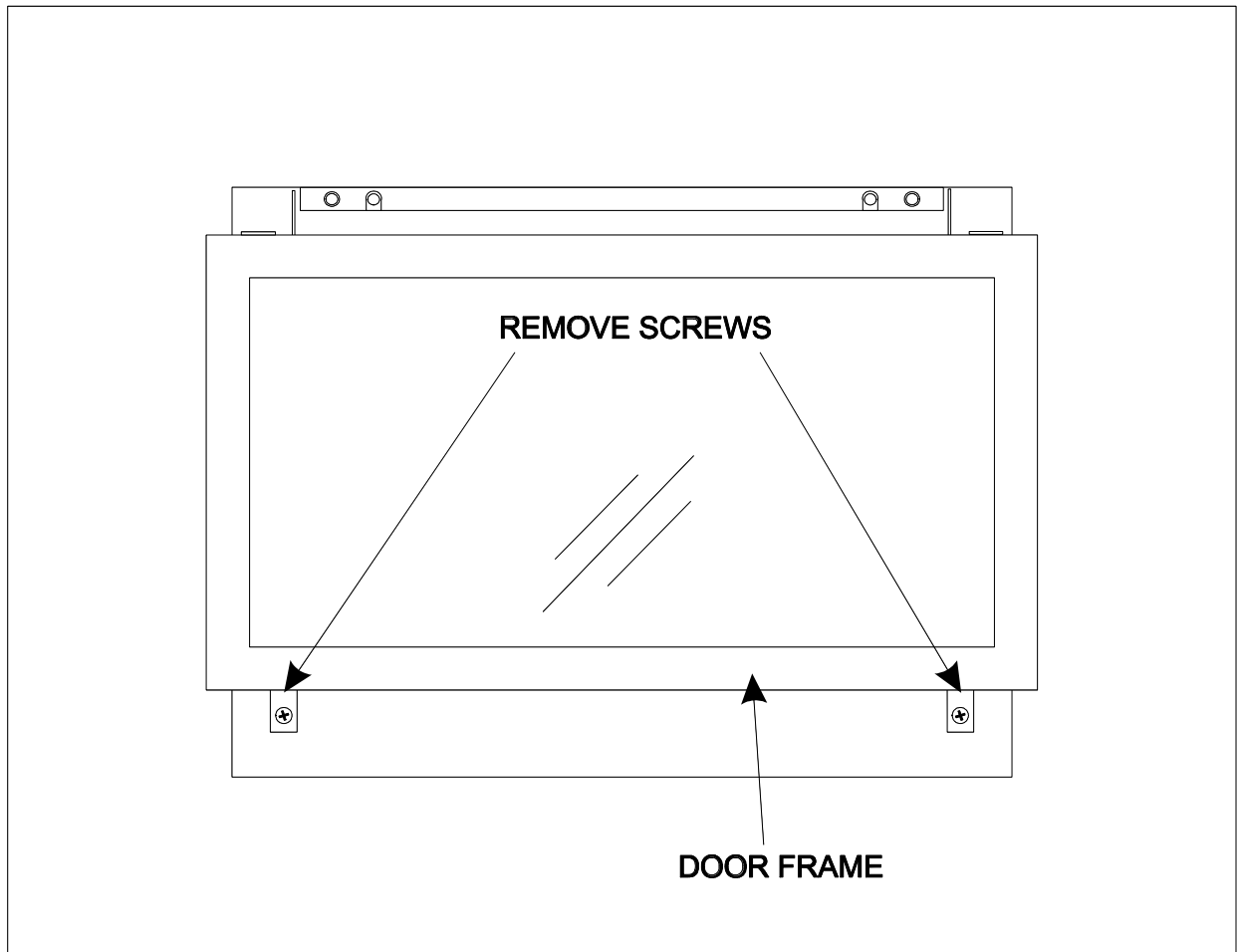
## **FIREBOX ACCESS**

### **To open the glass door and allow entry to the firebox interior:**

- Using a Phillips-tipped screwdriver, remove the two upper louver attachment screws (skip this step during installation).
- Remove the lower louver by rotating the bottom of the louver forward and lifting the louver off of its supports.
- Using a Phillips-tipped screwdriver, remove the 2 door attachment screws (see diagram below).
- The door may now be lifted off the insert body.

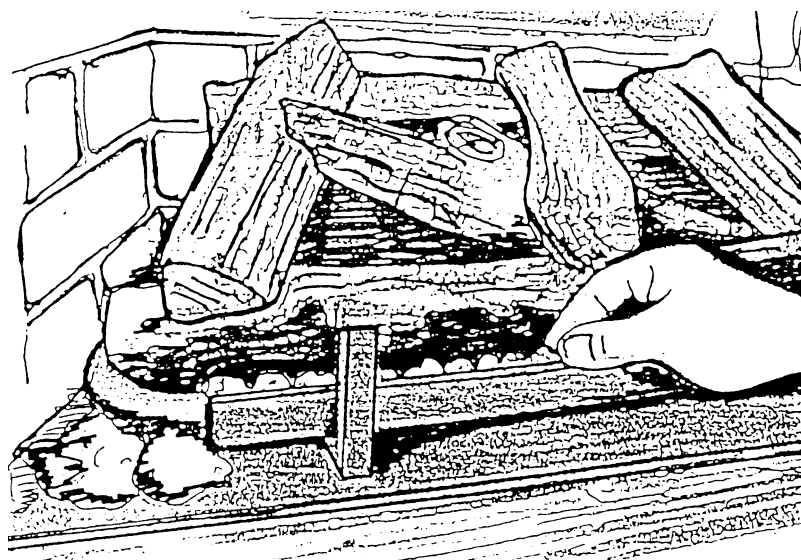
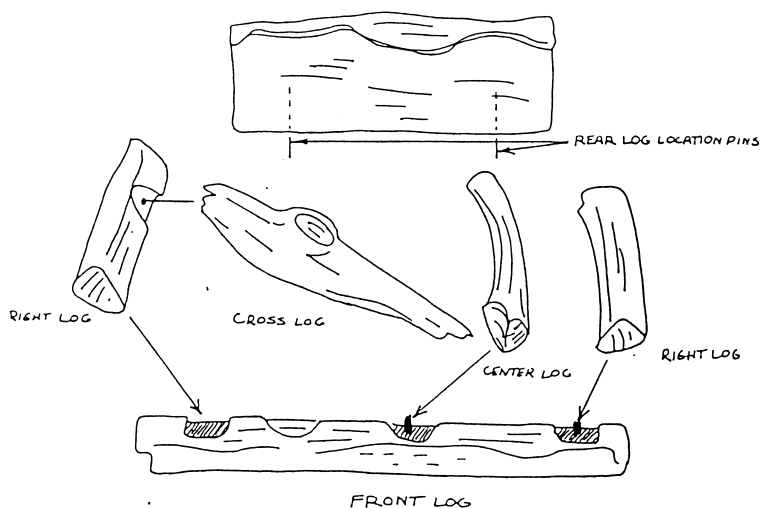
### **To reinstall the glass door:**

- Place the door squarely over the opening.
- Repeat steps above in reverse order.
- Make sure the screws are fastened tightly to ensure a proper seal between the door and the unit.



## CERAMIC BOARD, LOG AND EMBER INSTALLATION

- If optional ceramic board is being installed, place the back board first. Slide both side boards in place.
- As per the diagram below, place the rear log on the location pins at the rear of the firebox. Place the front log to nest between the front and center burner sections. The position of these logs should not be changed from where they are designed to sit. Modification of the logs or their positioning may affect the performance of the fireplace.
- Use only the ember wool material provided. Place small pieces (approximately 5/8" to 1" in size, not compressed too tightly) between the burner and burner fenders on the front and rear burner sections only. Be careful not to cover the holes in the burner.
- Position the left log, the cross log, the center log and the right log in their respective positions as shown on the diagram.



# LIGHTING INSTRUCTIONS

## FOR YOUR SAFETY READ BEFORE LIGHTING

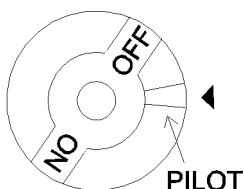
**WARNING: IF YOU DO NOT FOLLOW THESE INSTRUCTIONS EXACTLY, A FIRE OR EXPLOSION MAY RESULT CAUSING PROPERTY DAMAGE, PERSONAL INJURY OR LOSS OF LIFE.**

- A. This appliance has a pilot which must be lighted by hand. When lighting the pilot, follow these instructions exactly.
- B. BEFORE LIGHTING smell all around the appliance area for gas. Be sure to smell next to the floor because some gas is heavier than air and will settle on the floor.
- WHAT TO DO IF YOU SMELL GAS**
- Do not try to light any appliance.
  - Do not touch any electric switch; do not use any phone in your building.
  - Immediately call your gas supplier from a neighbor's phone. Follow the gas supplier's instructions.
  - If you cannot reach your gas supplier, call the fire department.
- C. Use only your hand to push in or turn the gas control knob. Never use tools. If the knob will not push in or turn by hand, don't try to repair it, call a qualified service technician. Force or attempted repair may result in a fire or explosion
- D. Do not use this appliance if any part has been under water. Immediately call a qualified service technician to inspect the appliance and any gas control which has been under water.

## LIGHTING INSTRUCTIONS

1. STOP! Read the safety information above on this label.
2. Set the switch on the surround to "OFF".
3. Turn off all electric power to the appliance.
4. Open control access panel (lower louver).
5. Push in gas control knob slightly and turn clockwise ⤵ to "OFF".

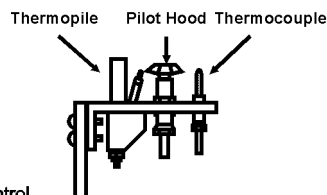
### MAIN VALVE



**NOTE:** Knob cannot be turned from "PILOT" to "OFF" unless knob is pushed slightly. Do not force.

6. Wait five (5) minutes to clear out any gas. If you then smell gas, including near the floor, STOP! Follow "B" in the safety information above on this label. If you don't smell gas, go to next step.

7. Locate pilot between front and rear logs.



8. Turn knob on gas control ⤵ counterclockwise to "PILOT".
9. Push in control knob all the way and hold in. Immediately light the pilot by continually pushing and releasing the red piezo button. Continue to hold the control knob in for about one (1) minute after the pilot is lit. Release knob and it will pop back up. Pilot should remain lit. If it goes out, repeat steps 4 through 8.
  - If knob does not pop up when released, stop and immediately call your service technician or gas supplier.
  - If the pilot will not stay lit after several tries, turn the gas control knob to "OFF" and call your service technician or gas supplier.
10. Turn gas control knob counterclockwise ⤵ to "ON".
11. Close control access panel (lower louver).
12. Turn on all electric power to the appliance.
13. Set switch on the surround to "ON".

## TO TURN OFF GAS TO APPLIANCE

1. Turn off all electric power to the appliance if service is to be performed.
2. Open control access panel (lower louver).
3. Push in gas control knob slightly and turn clockwise ⤵ to "OFF". Do not force.
4. Close control access panel (lower louver).

When lit for the first time, the appliance will emit a slight odor for an hour or two. This is due to the paint and lubricants used in the manufacturing process. Additionally, for the first few minutes after each lighting, vapor may condense and fog the glass and the flames may be blue. After a few minutes this moisture will disappear and within 5 to 10 minutes the flame should become yellow.

## MAINTENANCE

**THIS APPLIANCE SHOULD BE INSPECTED AT LEAST ONCE A YEAR BY A PROFESSIONAL SERVICE PERSON. MORE FREQUENT CLEANING MAY BE REQUIRED DUE TO EXCESSIVE LINT FROM CARPETING AND BEDDING MATERIALS, ETC. IT IS IMPERATIVE THAT THE CONTROL COMPARTMENTS AND THE COMBUSTION AND CIRCULATING AIR PASSAGEWAYS OF THE APPLIANCE BE KEPT CLEAN AND UNOBSTRUCTED.**

**ANY SAFETY SCREENS OR GLASS REMOVED FOR SERVICING THE APPLIANCE MUST BE REPLACED PRIOR TO OPERATING THE INSERT.**

Check periodically that the venting systems are unrestricted and operating with adequate draft.

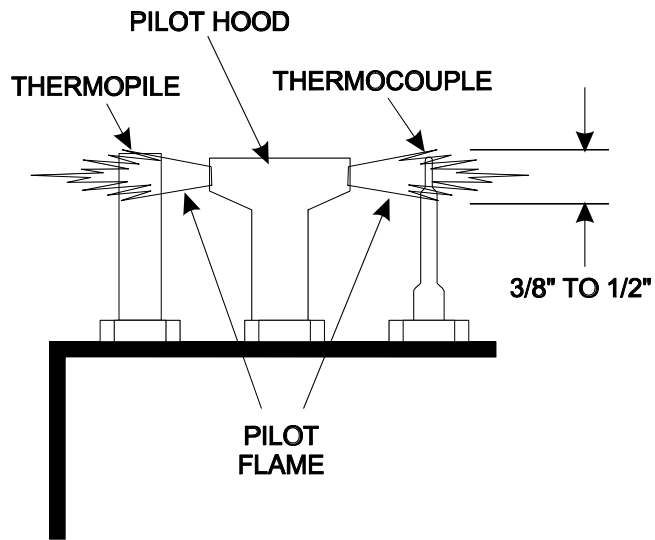
Check periodically for the proper operation of the pilot burner and main burner.

The appliance area must be kept clear and free from combustible materials, gasoline and flammable vapors and liquids.

**KEEP PILOT BURNER AND MAIN BURNER CLEAR OF LINT AND FOREIGN MATERIALS.**

**Proper cleaning of the burner and pilot:**

- Turn off the gas and electric power before servicing the appliance. Remove the logs. **(WARNING: THE LOGS ARE HOT WHEN APPLIANCE IS BURNING. HANDLE ONLY WHEN COOL)**
- Clean the top of the burner, firebox area and the air passages. Visually inspect the pilot. Brush or blow away any dust or lint.
- **CAUTION: LABEL ALL WIRES PRIOR TO DISCONNECTION WHEN SERVICING THE CONTROLS. WIRING ERRORS CAN CAUSE IMPROPER AND DANGEROUS OPERATION.**
- If vent/air intake system is disassembled for any reason, reinstall as per instructions on page 9.



## **GLASS MAINTENANCE AND REPLACEMENT**

The ceramic glass window on your insert requires periodic cleaning. Make sure the unit is cool before removing the glass door assembly (see Firebox Access).

The ceramic glass window is very strong but should not be abused by striking it or any inappropriate actions.

If the ceramic glass ever becomes cracked or broken, do not use the insert. The complete window and frame assembly must be replaced with a new or rebuilt assembly as supplied by the manufacturer. Broken or damaged glazing should be removed with care (using gloves) to avoid injury.

Substituting materials for repair or replacement other than as suggested or supplied by the manufacturer could cause a safety hazard.

**WARNING: DO NOT OPERATE THIS APPLIANCE WITH THE GLASS FRONT REMOVED, CRACKED OR BROKEN. REPLACEMENT OF GLASS SHOULD BE DONE BY A LICENSED OR QUALIFIED SERVICE PERSON.**

**WARNING: DO NOT CLEAN GLASS WHILE HOT.**

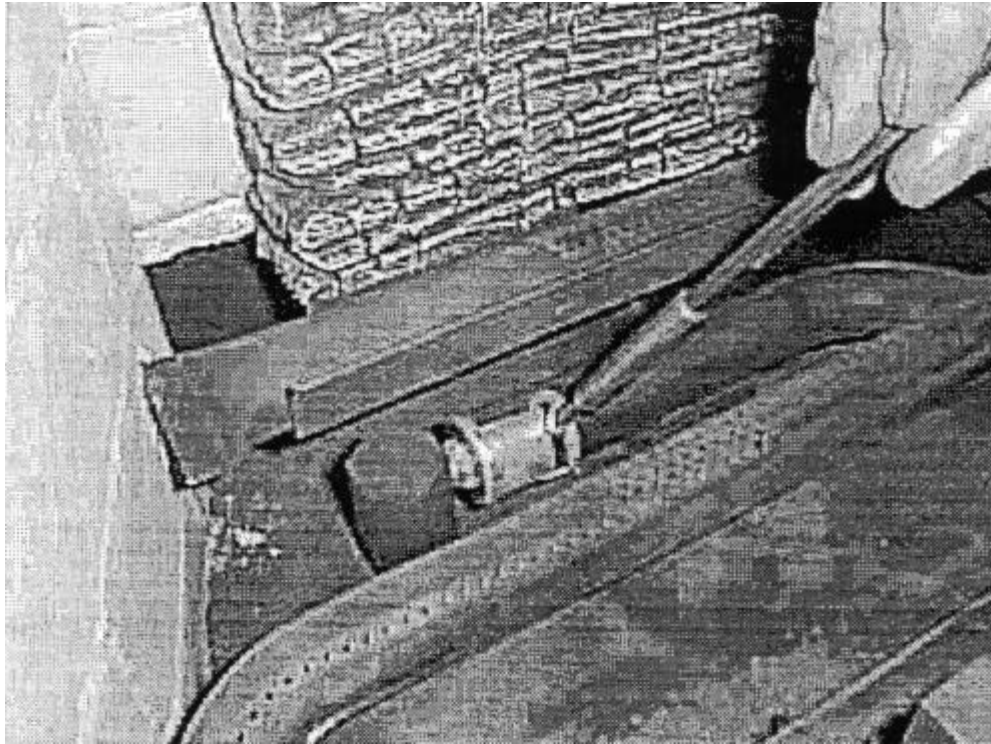
## **BURNER PRIMARY AIR ADJUSTMENT**

The air shutter is located inside the burn chamber at the point where the gas supply is introduced into the burner tube.

Air shutters are pre-adjusted at the factory at or near the optimum setting (Opened approximately 1/16" for Natural Gas and 3/16" for Propane).

Too little primary air may cause premature build-up or soot to deposit on the glass. If excessive soot forms, open the air shutter slightly by loosening the screw and rotating the sleeve to enlarge the opening. **CAUTION: ALLOW THE UNIT TO COOL COMPLETELY BEFORE ATTEMPTING THIS ADJUSTMENT.**

Too much primary air may cause the flames to look too blue. If this occurs, close the air setting slightly by loosening the screw and rotating the sleeve to reduce the opening. **CAUTION: ALLOW THE UNIT TO COOL COMPLETELY BEFORE ATTEMPTING THIS ADJUSTMENT.**



## **BLOWER OPERATION**

- Your insert has a factory installed blower unit.
- The blower is controlled by a variable speed rheostat found on the left side of the lower chamber behind the lower louver.
- The insert fire must be turned on for approximately 10 to 15 minutes before the blower will activate. This allows the air chamber to preheat. Having the blower operate too early would result in blowing cool air into the room.
- Once the warm up period has passed, the blower can be activated by turning the control knob in a clockwise rotation. Highest speed is achieved as soon as the rheostat is turned on; lowest speed is at full clockwise position.
- The blower speed may be adjusted to suit your needs in terms of air output and sound level. It is highly recommended that the blower never be shut off.
- If desired, the blower may be allowed to run even after the fire has been turned off. The blower will automatically shut off once the insert has cooled.
- Many people will set the rheostat at the desired speed and allow the system to function on its own during the heating season.
- Occasionally during hot spells in the summer, the fan system may activate itself even though the insert is not turned on. If this happens simply turn the rheostat knob fully counter clockwise to the off position.
- Although the blower system is not necessary for good heat output, it is highly recommended that the blower never be turned off but rather, left on low if additional heat is not required.

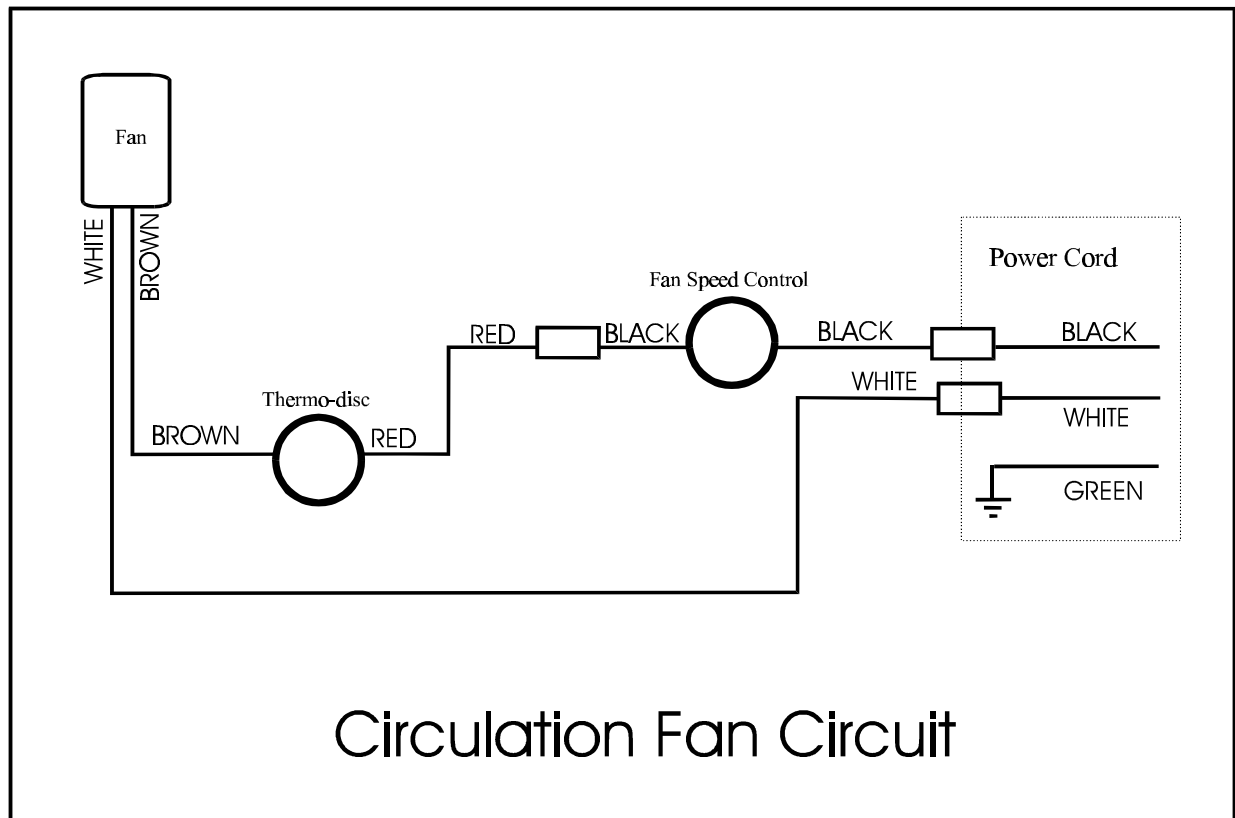
### **WARNING**

#### **Electrical Grounding Instructions**

This appliance is equipped with a three-prong (grounding) plug for your protection against shock hazard and should be plugged directly into a properly grounded three-prong receptacle. Do not cut or remove the grounding prong from this plug.

**CAUTION: LABEL ALL WIRES PRIOR TO DISCONNECTION WHEN SERVICING ELECTRICAL CONTROLS. WIRING ERRORS CAN CAUSE IMPROPER AND DANGEROUS OPERATION.**

## BLOWER WIRING DIAGRAM



## OPTIONAL EQUIPMENT

Please note that various options (designer trims, surrounds, faceplates, etc... ) are available for your unit. Due to the ever-changing nature of these options, it is not possible to list them all here. Please see our website or contact your local dealer for the latest designer options for your insert.

WWW.KOZISTOVES.COM

## LIMITED LIFETIME WARRANTY

This warranty is made by APR Industries Ltd, 1354 Waverley Street, Winnipeg, Manitoba, Canada and is hereinafter referred to as “Warrantor”.

The Warrantor warrants to the original consumer purchaser that the **KOZI** CDVI will be free from defects in material and workmanship under normal use and service for a period of 5 years. The warranty shall be void and have no effect if this gas fireplace is not installed in accordance with the installation instructions provided with the unit.

- For a period of 1 year the Warrantor will cover the cost of parts and labor for repairs.
- For the remainder of the warranty period, the Warrantor will cover the cost of all parts required for repair, with the exception of all electrical and gas components; which are warranted for one year only.
- The following items are not covered by this or any other warranty: log, paint, gaskets burners, trim, ceramic glass window.

Warrantor makes no warranties, expressed or implied, written or oral, other than those specifically stated in this Limited Lifetime Warranty.

The remedy for damages as the result of any defects in this product which have been warranted herein is limited to replacement of the defective parts, and does not include any incidental or consequential damages sustained in connection with this product, including but not limited to damage to the property.

This warranty is limited to residential use of the product only.



APR Industries Ltd. 1354 Waverley Street, Winnipeg, Manitoba, Canada, R3T 0P5  
Tel. (204) 452-9907 Fax (204) 453-2747 Email mail@kozistoves.com

# RATING PLATE DIAGRAM



**KOZI CDVI**  
 CERTIFIED FOR/CERTIFIEE POUR:  
 CANADA & U.S.A

DO NOT REMOVE THIS LABEL.  
 NE PAS ENLEVER CERRE ETIQUETTE

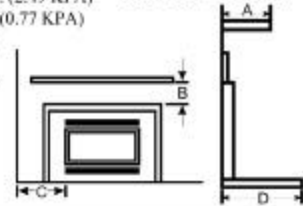
SER. NO.  
 NO DE  
 SERIE

**WH-**

STANDARD / NORME  
 CAN/CGA 2.17  
 ANSI Z21.88-1998  
 CSA 2.33-M98

LISTED DIRECT VENT GAS FIREPLACE INSERT  
 FOYER INSERE A GAZ VENTICE DIRECTMENT  
 NOT FOR USE WITH SOLID FUELS - NE DOIT PAS ETRE  
 UTILISE AVEC UN COMBUSTIBLE SOLIDE.

GAS TYPE/GAZ TYPE:	N/NATURAL	LP/PROPANE	ELECTRICAL RATING/ CHARACTERISTIQUES ELECTRONIQUES:
MODEL/MODELE:	CDVIN ■	CDVIP ■	120 VAC, 60 HZ
MINIMUM SUPPLY PRESSURE/ PRESSION MINIMUM:	5.0 IN/PO. W.C. (1.25 KPA)	11 IN/PO. W.C. (2.74 KPA)	LESS THAN 2 AMPS MOINS DES 2 AMPS
MANIFOLD PRESSURE/ PRESSION (TUYAUTERIE):	HIGH 3.5 IN/PO. W.C. (0.87 KPA)	10.0 IN/PO. W.C. (2.49 KPA)	
INPUT/ALIMENTATION:	LOW 1.7 IN/PO. W.C. (0.42 KPA)	3.1 IN/PO. W.C. (0.77 KPA)	
	27,000 BTU/HR (2000-4500 FT. 610-1372M FOR CANADA)	27,000 BTU/HR	
	27,000 BTU/HR	25,800 BTU/HR	
ORIFICE SIZE/TAILLES DES ORIFICE:			
■ 0-4500 FT. (0-1372M)	38 DMS	54 DMS	



CAUTION: HOT WHILE IN OPERATION. DO NOT TOUCH. KEEP CHILDREN, CLOTHING AND FURNITURE AWAY. RISK OF INDOOR AIR POLLUTION  
 NEVER OPERATE UNIT WITH GLASS DOOR OPEN.

- MINIMUM CLEARANCES TO COMBUSTIBLES
- (A) MAXIMUM 7 IN. DEEP MANTEL
  - (B) UNIT TOP TO MANTEL - 18 IN.
  - (C) SIDEWALL 12 IN. FROM INSERT DOOR
  - (D) INSERT MUST HAVE A MINIMUM 12 IN. NON-COMBUSTIBLE HEARTH IN FRONT, RAISED ½ IN. ABOVE COMBUSTIBLE FLOORING, OR RAISED OPENING MUST BE AT LEAST 2 IN. ABOVE COMBUSTIBLE FLOORING.

INSTALL AND USE ONLY IN ACCORDANCE WITH THE MANUFACTURER'S INSTALLATION AND OPERATING INSTRUCTIONS. KEEP BURNER AND CONTROL COMPARTMENT CLEAN.

WARNING: IMPROPER INSTALLATION, ADJUSTMENT, SERVICE OR MAINTENANCE CAN CAUSE PERSONAL INJURY, LOSS OF LIFE OR PROPERTY DAMAGE.

REFER TO THE OWNERS INFORMATION MANUAL PROVIDED WITH THIS APPLIANCE. FOR ASSISTANCE OR ADDITIONAL INFORMATION CONSULT A QUALIFIED INSTALLER, SERVICE AGENCY OR GAS SUPPLIER

CAUTION: DO NOT OPERATE THE APPLIANCE WITH GLASS REMOVED, CRACKED OR BROKEN.

THIS APPLIANCE MUST BE INSTALLED IN ACCORDANCE WITH LOCAL CODES. IF ANY; IF NOT, FOLLOW THE CURRENT CAN B-149 INSTALLATION CODE IN CANADA. IN U.S.A., USE NATIONAL FUEL GAS CODE 2223.1. MAY BE INSTALLED IN A BEDROOM.

THIS APPLIANCE MUST BE PROPERLY CONNECTED TO A VENTING SYSTEM IN ACCORDANCE WITH THE MANUFACTURER'S INSTALLATION INSTRUCTIONS. MAXIMUM VENT LENGTH 30 FT. MINIMUM VENT LENGTH 9 FT.

THIS APPLIANCE MUST BE INSTALLED IN ACCORDANCE WITH THE CURRENT STANDARD CAN/CSA MH, MOBILE HOUSING, OR WITH THE MANUFACTURED HOME CONSTRUCTION AND SAFETY STANDARD, TITLE CFR, PART 3280; OR, WHEN SUCH STANDARD IS NOT APPLICABLE, THE CURRENT ANS/NFPA 501A STANDARD FOR MANUFACTURED HOME INSTALLATIONS, THIS APPLIANCE MAY BE INSTALLED IN MANUFACTURED HOMES AFTER FIRST SALE OF HOME

FOR USE WITH NATURAL GAS AND PROPANE, A CONVERSION KIT, AS SUPPLIED BY THE MANUFACTURER SHALL BE USED TO CONVERT THIS APPLIANCE TO THE ALTERNATE FUEL.

SEE OPPOSITE SIDE OF THIS PLATE FOR LIGHTING INSTRUCTIONS. ONLY FOR DIRECT DISCHARGE WITHOUT DUCT CONNECTION.

APR Industries Ltd.  
 1354 Waverley Street.  
 Winnipeg, Mb, Canada

ATTENTION: CHAUD QUAND L'APPAREIL EST ALLUMÉ. NE PAS TOUCHER. TENIR ELOIGNÉS LES ENFANTS, LES VÊTEMENTS ET LES MEUBLES. RISQUE DE POLLUTION À L'INTÉRIEUR. NE JAMAIS FAIRE FONCTIONNER L'APPAREIL LORSQUE SES PORTES SONT OUVERTS.

- DISTANCE MINIMALES ENTRE L'APPAREIL ET LES COMBUSTIBLES:
- (A) MANTEAU DE CHEMINÉE DE 7 PO. DE PROFONDEUR MAX.
  - (B) LE DESSUS DE L'UNITÉ AU MANTEAU DE CHEMINÉE 18PO.
  - (C) MUR LATÉRAL À 12 PO. DU PORTILLION DU FOYER INTÉGRÉ
  - (D) L'APPAREIL DOIT AVOIR À L'AVANT DE L'EXTENSION DU FOYER À GAZ NON-COMBUSTIBLE UN MINIMUM DE 12 PO, LES OUVERTURES ÉLEVÉES DOIVENT ÊTRE DEUX POUÇES AU-DESSUS DU REVÊTEMENT DE SOL COMBUSTIBLE.

INSTALLEZ ET EMPLOYEZ UNIQUEMENT SELON LES DIRECTIVES D'INSTALLATION ET DE FONCTIONNEMENT DU MANUFACTURER. MAINTENEZ LE BRULEUR ET LE COMPARTEMENT DES CONTROLES PROPRES.

AVERTISSEMENT: L'INSTALLATION, L'ADJUSTMENT, LE SERVICE OU L'ENTRETIEN INCORRECTS PEUVENT ENGENDRER UNE BLESSURE PERSONNELLE, LA MORT OU L'ENDOMMAGEMENT DE LA PROPRIÉTÉ.

RÉFÉRER VOUS AU MANUEL DE PROPRIÉTAIRE FOURNI AVEC CET APPAREIL POUR OBTENIR DE L'ASSISTANCE OU DES RENSEIGNEMENTS ADDITIONNELS. CONSULTEZ UN INSTALLATEUR COMPÉTENT, UNE AGENCE DE SERVICE OU VOTRE FOURNISSEUR DE GAZ.

MISE EN GARDE: NE PAS FAIRE FONCTIONNER L'APPAREIL SI LA VITRE EST ENLEVÉE, FENDUE OU BRISÉE.

CET APPAREIL DOIT ÊTRE INSTALLÉ SELON LES NORMES LOCALES S'IL Y A LIEU. SINON, RESPECTEZ LA NORME D'INSTALLATION CAN B-149 ACTUELLEMENT EN VIGEUR (AUX ÉTATS EMPLOYEZ LA NORMES DE GAZ COMBUSTIBLE NATIONALE Z2231). L'APPAREIL PEUT S'INSTALLER DANS UNE CHAMBRE À COUCHER.

L'UNITÉ DOIT ÊTRE BIEN ATTACHÉ À UN SYSTÈME DE VENTILATION CONFORMEMENT AUX INSTRUCTIONS POUR L'INSTALLATION DU MANUFACTURIER. LONGUEUR MAXIMALE DES CONDUITS 30 PI. LONGUEUR MINIMALE DES CONDUITS 9 PI.

CET APPAREIL DOIT ÊTRE INSTALLÉ SELON LA NORME CAN/CSA Z240MH ACTUELLE SUR LES MAISONS MOBILES. OU SELON LA NORME DE CONSTRUCTION ET DE SÉCURITÉ DE MAISONS MANUFACTURÉES ARTICLE 24 CFR, SECTION 3280. OU SI UNE TELLE NORMES NE S'APPLIQUE PAS LA NORME ANS/NFPA 501A ACTUELLE SUR LES INSTALLATIONS DE MAISONS MANUFACTURÉES.

POUR L'EMPLOI AVEC LE GAZ NATUREL ET PROPANE. UNE TROUSSE DE CONVERSION FOURNIE PAR LE MANUFACTURIER DOIT ÊTRE EMPLOYÉE POUR CONVERTIR CET APPAREIL EN FONCTION D'UN AUTRE COMBUSTIBLE.

VOIR L'AUTRE COTÉ DE CETTE PLAQUE POUR LES DIRECTIVES D'ALLUMAGE.

POUR SORTIE D'ÉCHAPPEMENT DIRECTE SANS GAINÉ DE DISTRIBUTION SEULEMENT.